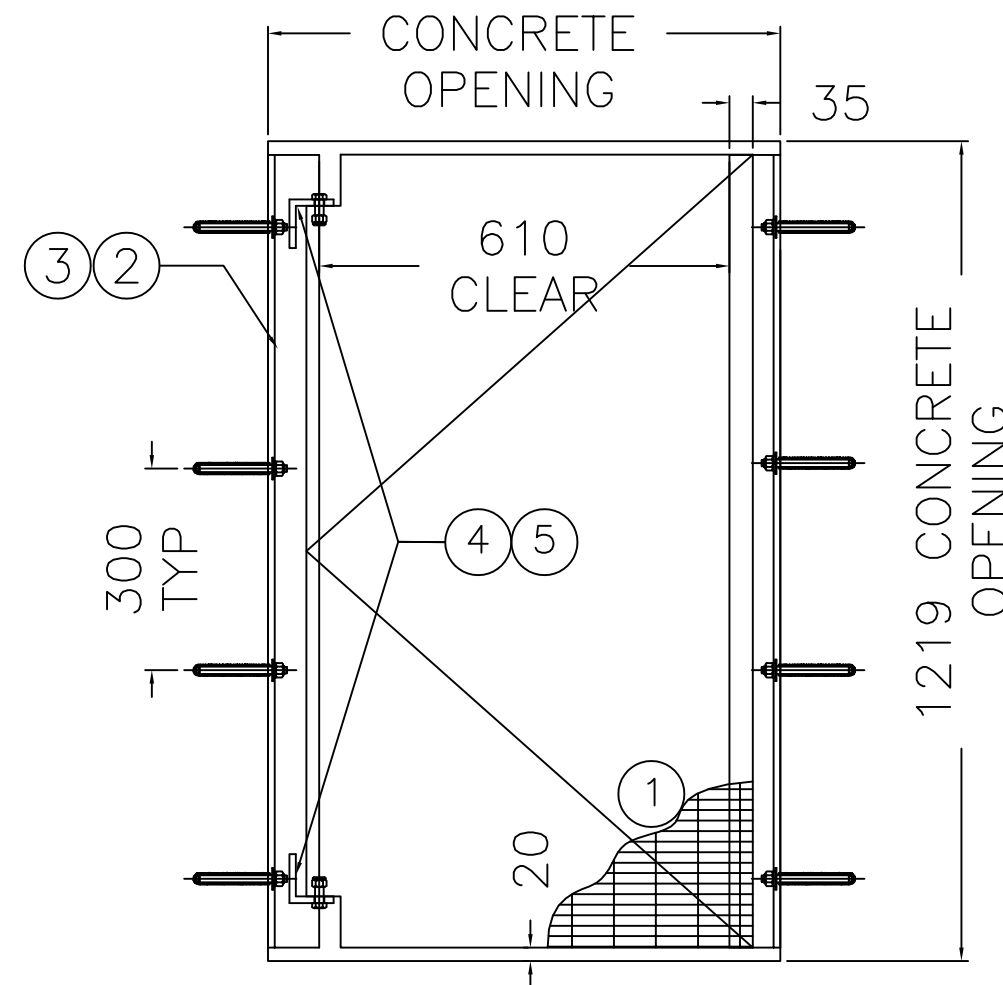
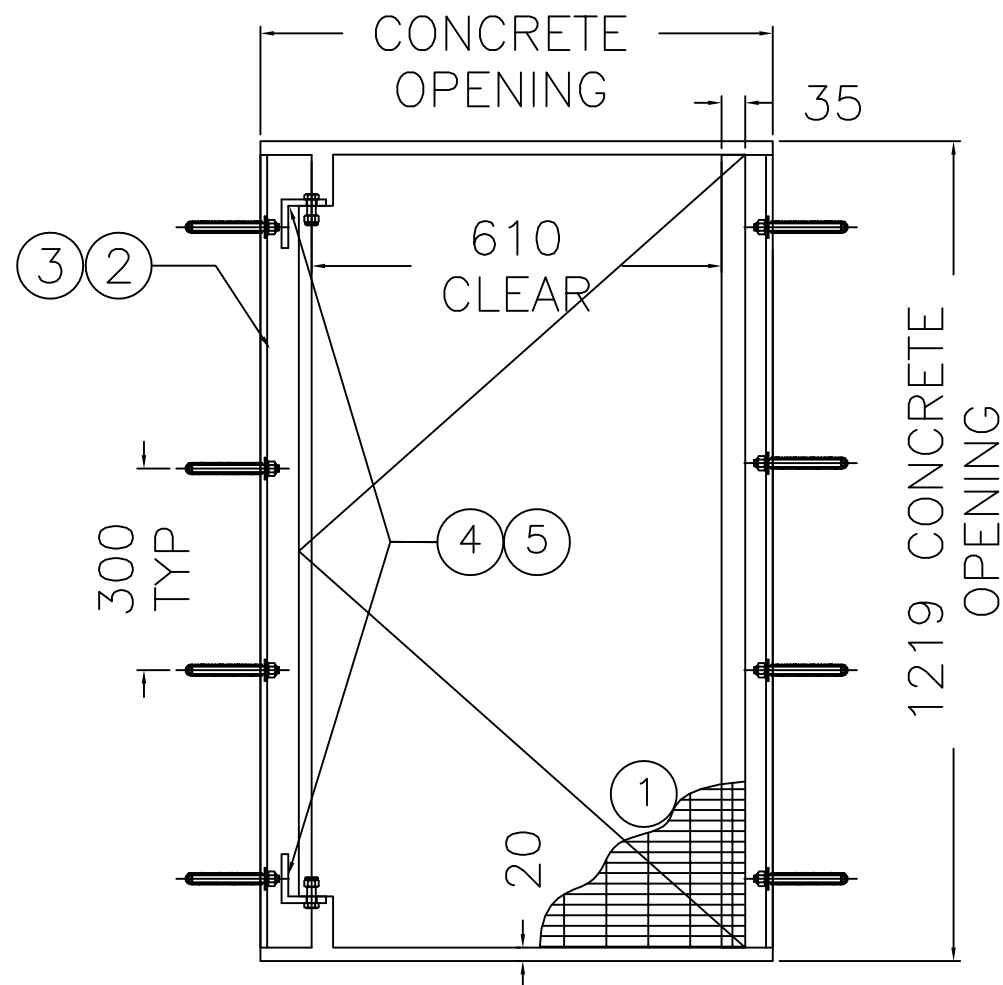
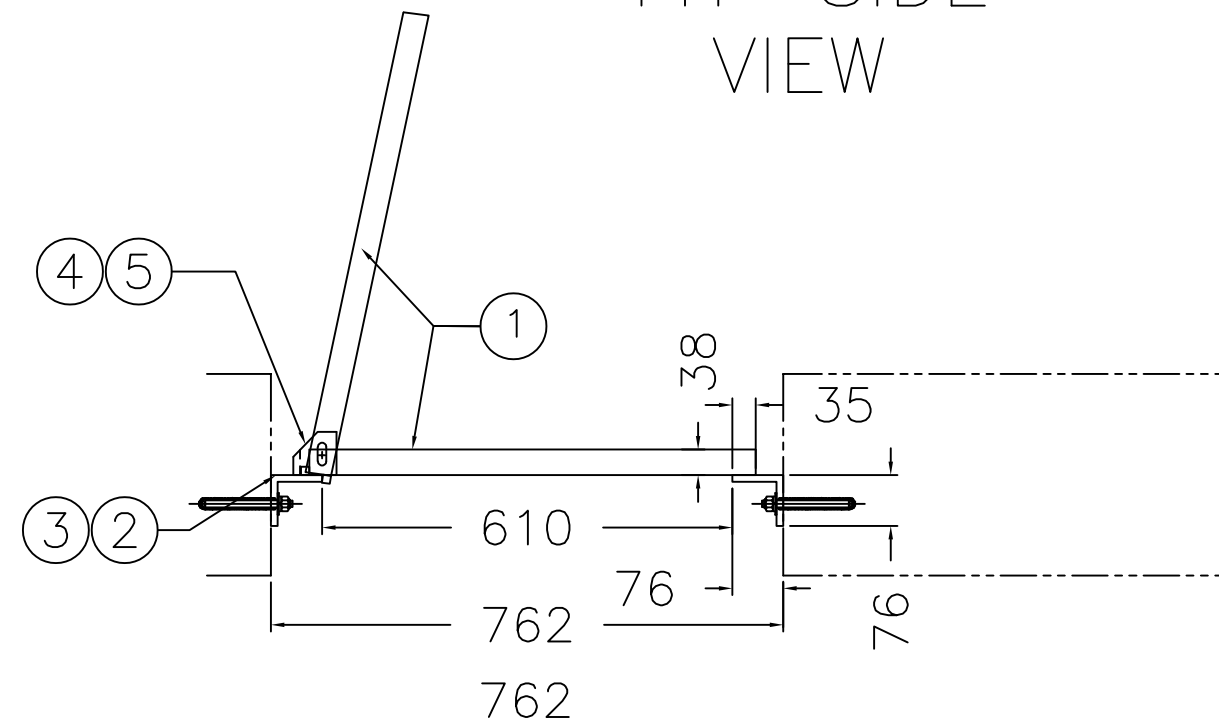
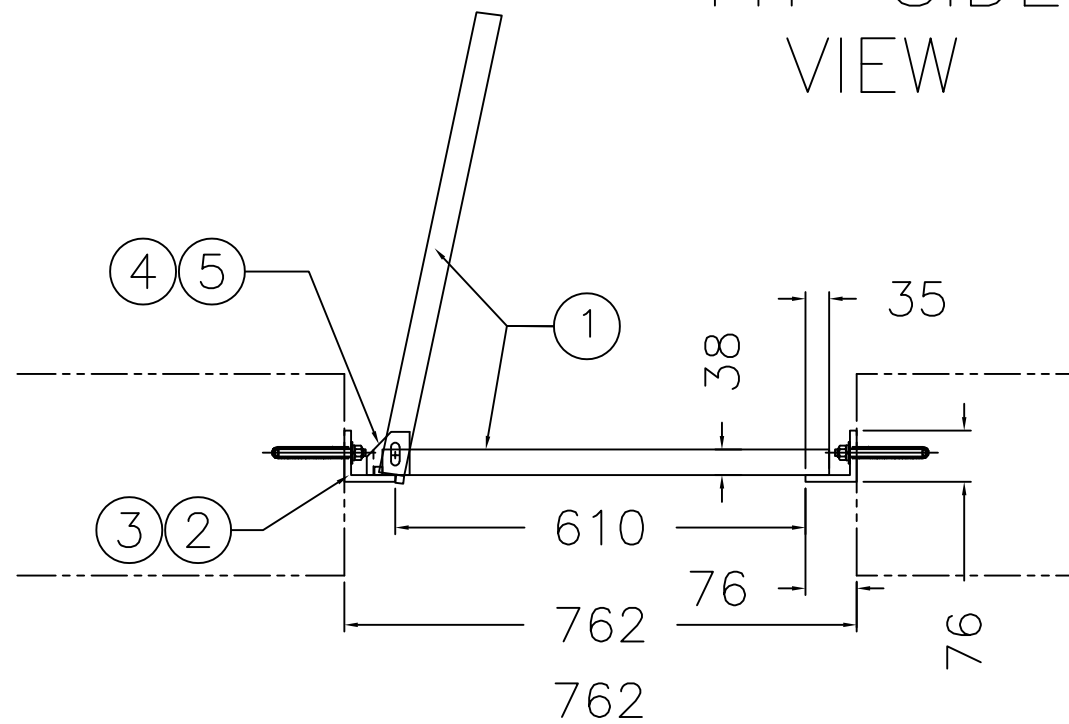


**MSU
MISSISSAUGA LTD.**

PHONE: (905) 823-4340
FAX: (905) 823-4947
WATTS: (800) 268-5336

TYP SIDE VIEW

TYP SIDE VIEW



#	QTY.	MATERIAL	DESCRIPTION
1	1	ALUMINUM 6061-T6	BORDEN B8 SAFETY GRATE
2	2	ALUM. 6061-T6	76 X 76 X 10mm ANGLE
3	8	STAINLESS STEEL 316	1/2 X 3 3/4 WEDGE ANCHOR C/W NUT FLAT AND LOCK WASHER
4	2	ALUMINUM 6061-T6	GRATE HINGE WELDED TO ITEM #2
5	2	STAINLESS STEEL 316	1/2 X 1 1/2 HEX BOLT C/W LOCK NUT

SIZES ARE FOR EXAMPLE
CUSTOM SIZES AVAILABLE

NOTE:
1) ALL ALUMINUM SURFACES IN CONTACT WITH CONC. SHALL BE RECEIVED 2 COATS OF BITUMINOUS PAINT
2) WELDING SHALL CONFORM TO CSA W47.2 & CSA W59.2

PROJECT	PROJECT LOCATION
CONTRACTOR	CONTRACTOR
ARCHT/ENG'R	ENGINEER
QTY. #	PROJECT NO. #

TITLE					
RETROFIT SAFETY GRATE					
NO.	DATE	BY	DATE	DWG. BY:	PL. NO.
1	21/4/15			CDT	CATA
			SCALE	CHK'D BY:	DWG. NO.
			NTS		GRATE