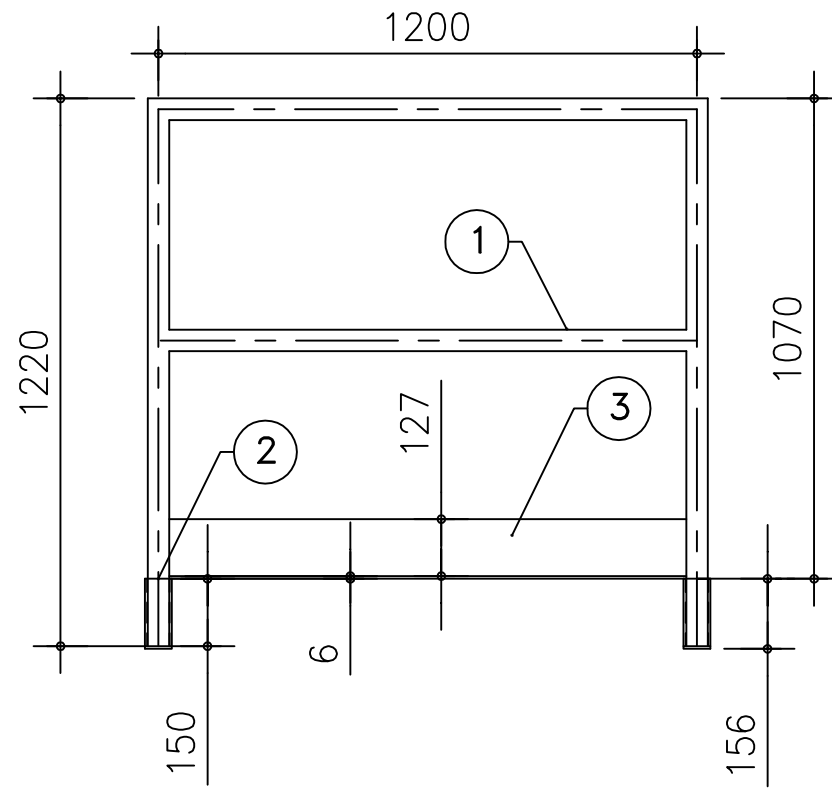


THIS DOCUMENT CONTAINS PROPRIETARY INFORMATION AND OTHER RIGHTS WHICH ARE THE SOLE AND EXCLUSIVE PROPERTY OF MSU MISSISSAUGA LTD.

POSSESSION OF THIS MATERIAL DOES NOT CONVEY OR TRANSFER ANY RIGHTS THEREIN, AND REPRODUCTION, USE, COPYING OR DISCLOSURE TO OTHERS IS FORBIDDEN WITHOUT THE PRIOR WRITTEN CONSENT OF AN OFFICER OF MSU MISSISSAUGA LTD.

© MSU MISSISSAUGA LTD. - JULY 23RD, 2014



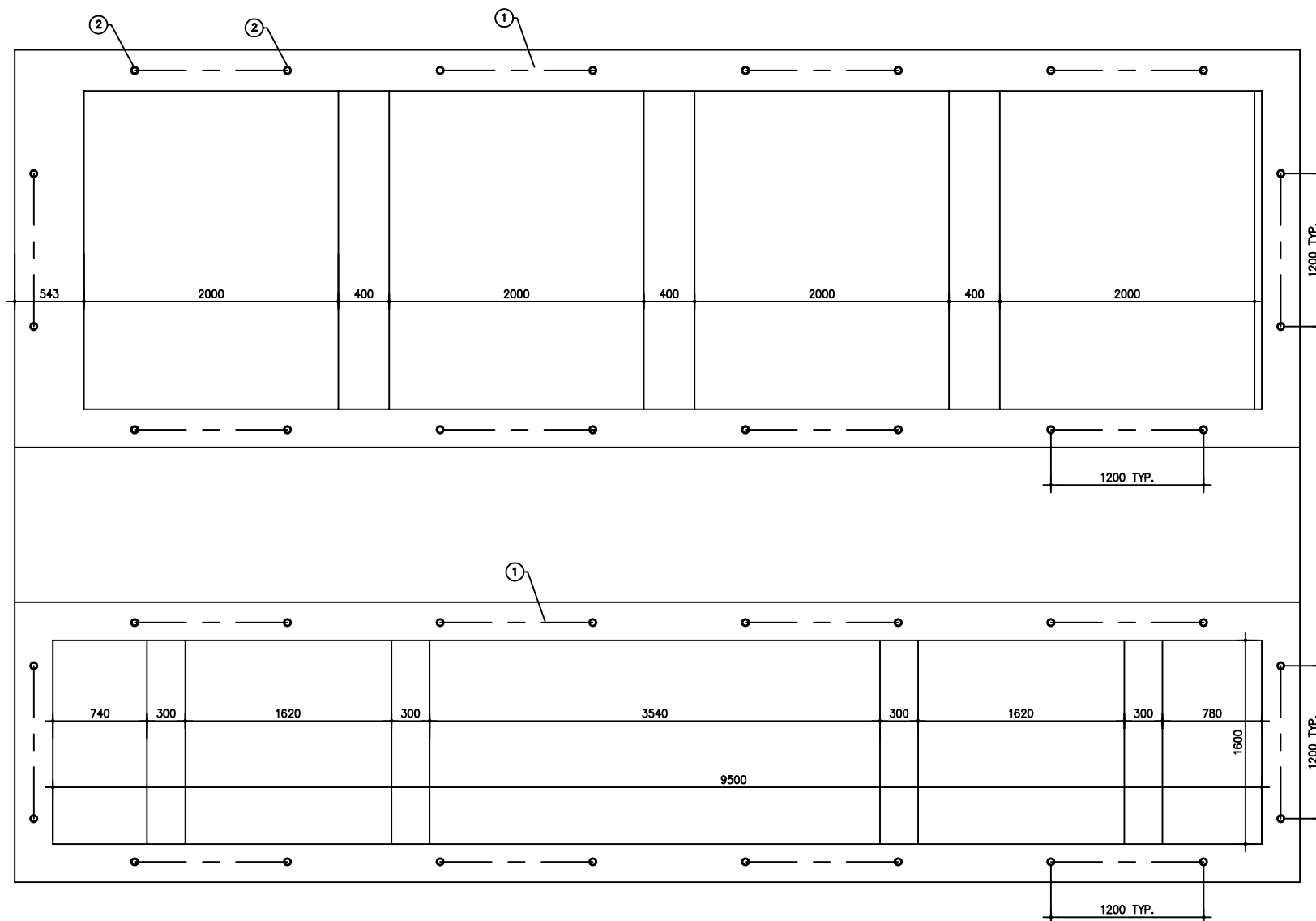
REGISTERED PROFESSIONAL ENGINEER  
CIVIL  
R.W. CUMMING  
14 MAR 2014  
PROVINCE OF ONTARIO

REVIEWED  
VIRTUAL#25579

**VIRTUAL**  
engineers  
Consulting Engineers

www.virtual-engineers.com  
230 TOWN CENTRE BLVD. SUITE 203 TEL: (905) 707-0704  
MARKHAM, ONTARIO L3R 8G5 1-(866) 337-9333  
FAX: (905) 475-1605

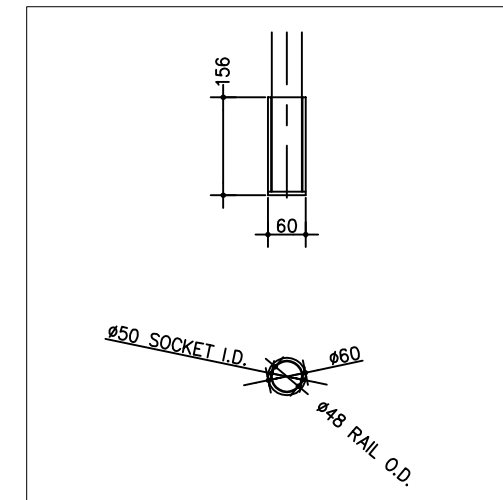
GUARDRAIL IS DESIGNED PER OBC 4.1.5.15 TO WITHSTAND A HORIZONTAL 0.75KN/M OR 1KN AND A VERTICAL 1.5KN/M ON TOP RAIL NON-CONCURRENT.



**MSU**  
**MISSISSAUGA LTD.**  
PHONE: (905) 823-4340  
WATTS: (800) 268-5336  
WEBSITE: www.msmississauga.com

#	QTY.	MATERIAL	DESCRIPTION
1	20	ALUMINUM 6061-T6	1 1/2" SCH. 40 PIPE
2	40	ALUMINUM 6061-T6	SCH.80 PIPE SOCKET 150 MM LG. C/W 6MM WELDED END CAP
3	20	ALUMINUM 6351-T6	127X6MM KICKPLATE WELD TO ITEM 1

CAST IN SOCKET DETAIL



NOTE:

- 1) ALL ALUMINUM SURFACES IN CONTACT WITH CONCRETE SHALL RECEIVE 2 COATS OF BITUMINOUS PAINT.
- 2) WELDING SHALL CONFORM TO CSA W47.2 CSA W59.2
- 3) WELDED SURFACES REMAIN AS WELDED.
- 4) SURFACE FINISH FOR HANDRAIL IS CLEAR SATIN ANODIZED.

PROJECT	LOCATION PROJECT
CONTRACTOR	CONTRACTOR
ARCHT/ENG'R	ENGINEER
QTY. 20 RAILS/40 SOCKETS	PROJECT NO. #

TITLE ALUMINUM REMOVEABLE RAILING SYSTEM AND CAST IN SOCKETS					
REVISION	NO.	DATE	BY	DATE	DWG. NO.
▲				##/##/##	SCJ
▲				SCALE	CATA RAIL-5
				NTS	