

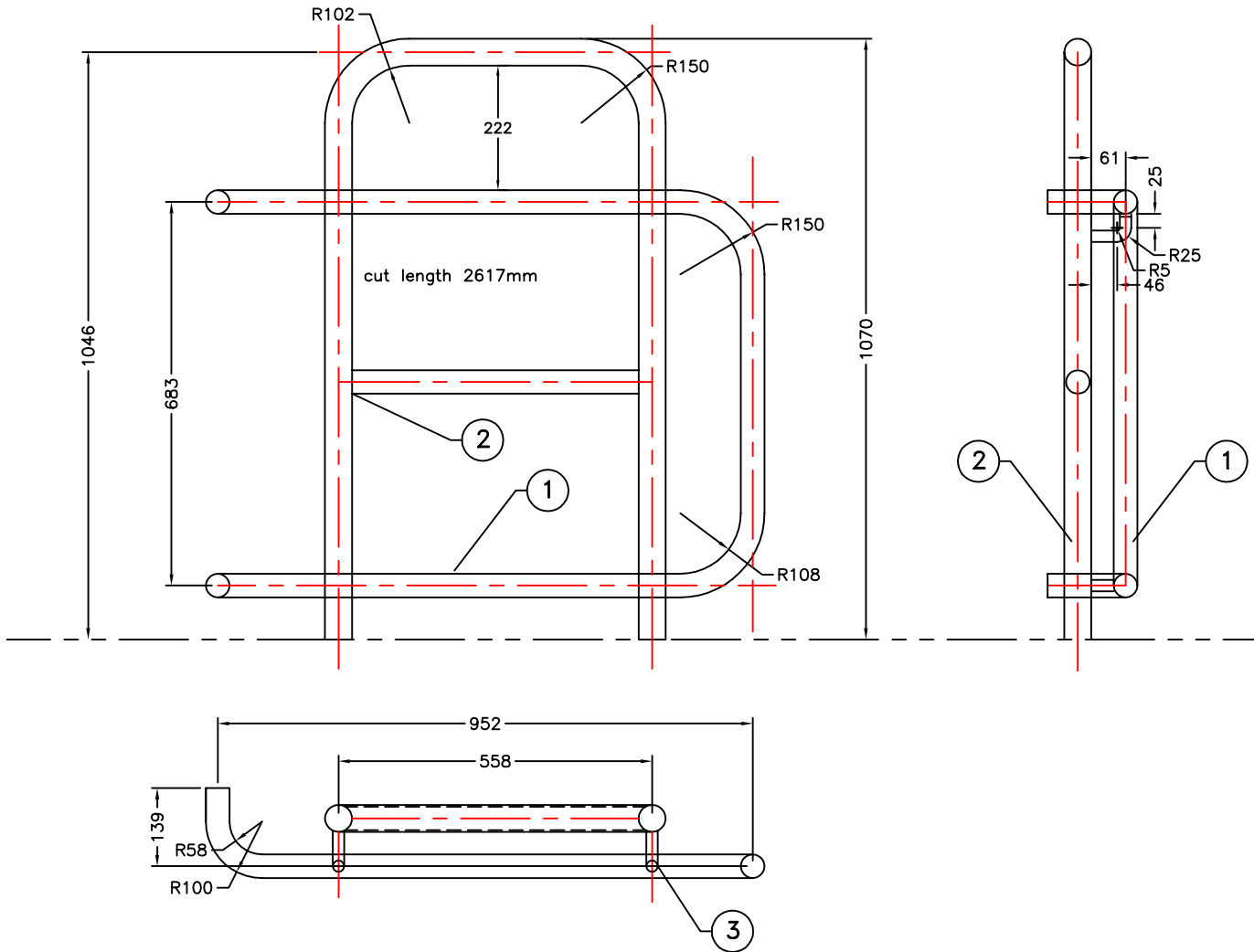


**MSU
MISSISSAUGA LTD.**

PHONE: (905) 823-4340

WATTS: (800) 268-5336

WEBSITE: www.msmississauga.com



#	QTY.	MATERIAL	DESCRIPTION
1	AS REQ	ALUMINUM 6061-T6	1 1/4 SCH-40 PIPE
2	AS REQ	ALUMINUM 6061-T6	1 1/2 SCH-40 PIPE
3	2	ALUMINUM 6061-T6	3/4 BENT SOLID ROD

THIS DOCUMENT CONTAINS PROPRIETARY INFORMATION AND OTHER RIGHTS WHICH ARE THE SOLE AND EXCLUSIVE PROPERTY OF MSU MISSISSAUGA LTD.

POSSESSION OF THIS MATERIAL DOES NOT CONVEY OR TRANSFER ANY RIGHTS THEREIN, AND REPRODUCTION, USE, COPYING OR DISCLOSURE TO OTHERS IS FORBIDDEN WITHOUT THE PRIOR WRITTEN CONSENT OF AN OFFICER OF MSU MISSISSAUGA LTD.

© MSU MISSISSAUGA LTD. - JULY 23RD, 2014

- NOTE: 1. ALL ALUMINUM SURFACES IN CONTACT WITH CONCRETE SHALL RECEIVE 2 COATS OF BITUMINOUS PAINT.
 2. WELDING SHALL CONFORM TO CSA-W47.2 & CSA W59.2
 3. WELDED SURFACES REMAIN AS WELDED.

PROJECT	LOCATION PROJECT	
CONTRACTOR	GO-TRANSIT	
ARCHT/ENGR	GO-TRANSIT ENGINEERING	
QTY.	QTY.	PROJECT NO. #

TITLE						
MSU CUSTOM ALUMINUM BARRIER FREE RAIL FOR GO-TRANSIT						
NO.	DATE	BY	DATE	SCALE	DWG. BY:	PL. NO.
NO.			##/##/##	NTS	SCJ	CATA
					DWG. NO.:	RAIL-3