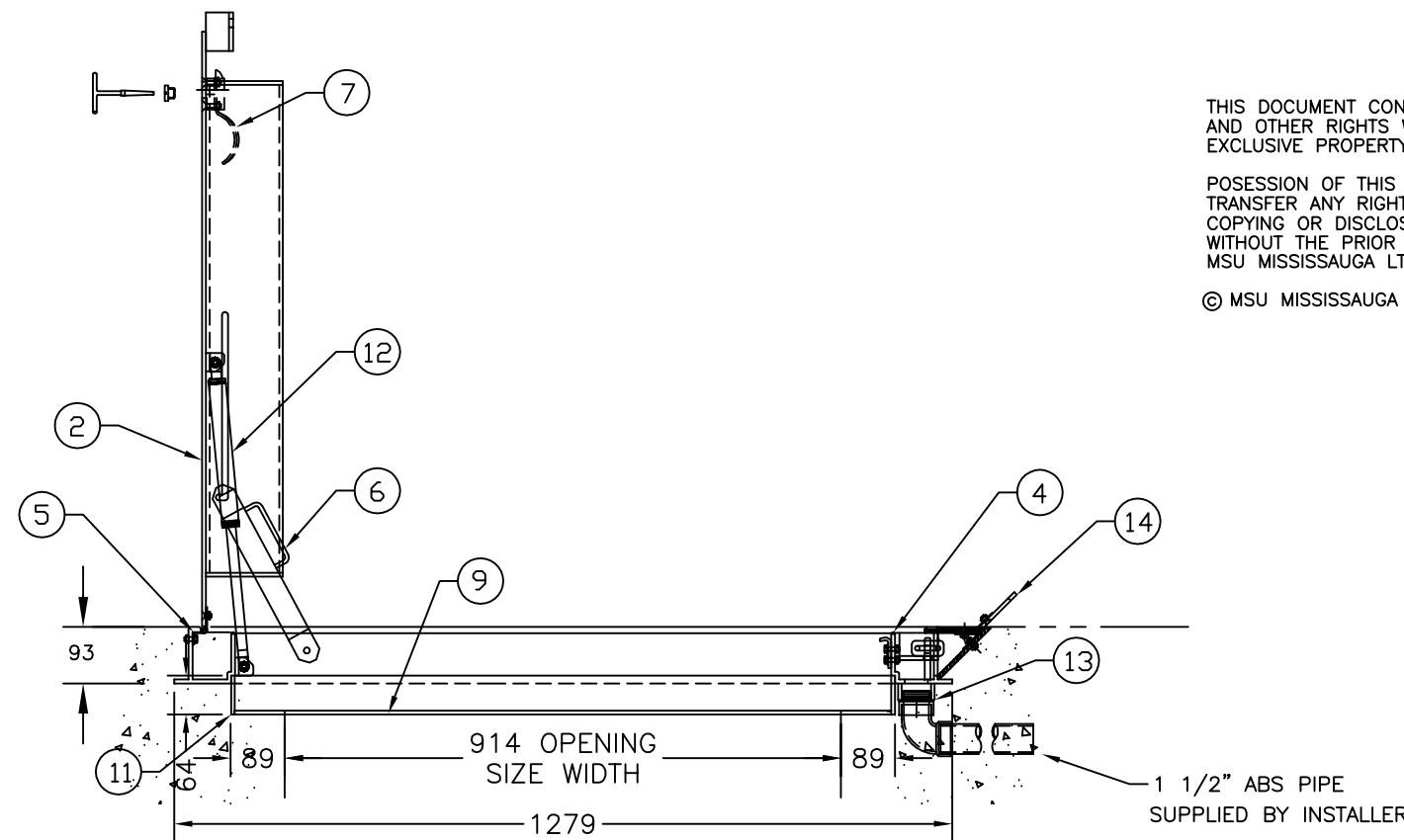
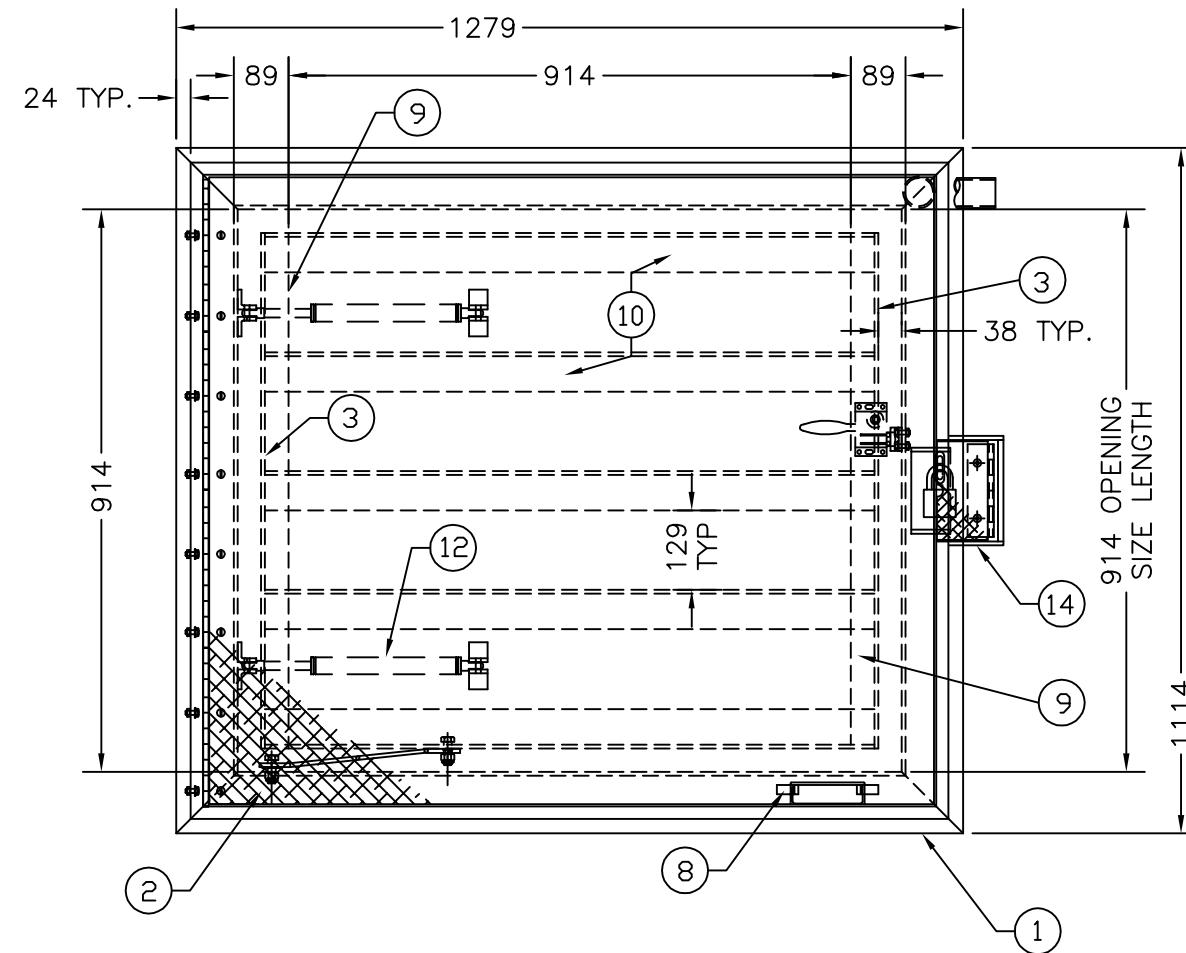


**MSU  
MISSISSAUGA LTD.**

PHONE: (905) 823-4340

WATTS: (800) 268-5336

WEBSITE: [www.msumississauga.com](http://www.msumississauga.com)



THIS DOCUMENT CONTAINS PROPRIETARY INFORMATION AND OTHER RIGHTS WHICH ARE THE SOLE AND EXCLUSIVE PROPERTY OF MSU MISSISSAUGA LTD.

POSSESSION OF THIS MATERIAL DOES NOT CONVEY OR TRANSFER ANY RIGHTS THEREIN, AND REPRODUCTION, USE, COPYING OR DISCLOSURE TO OTHERS IS FORBIDDEN WITHOUT THE PRIOR WRITTEN CONSENT OF AN OFFICER OF MSU MISSISSAUGA LTD.

© MSU MISSISSAUGA LTD. - JULY 23RD, 2014

#	QTY.	MATERIAL	DESCRIPTION
1	4	ALUMINUM 6351-T6	FRAME EXTRUSION #P5709-1
2	1	ALUMINUM 6061-T6	1/4" TREAD PLATE
3	2	ALUMINUM 6061-T6	3/8" X 5" FLAT BAR REINFORCING
4	1	BLACK CORD NEOPRENE	PERIMETER SEALING GASKET
5	1	STAINLESS STEEL 316	CONTINUOUS FORMED HINGE C/W 1/4" TAMPERPROOF FASTENERS
6	1	STAINLESS STEEL 316	90 DEG. HOLD OPEN ARM C/W 1/4"Ø ROD FORMED HANDLE
7	1	STAINLESS STEEL 316	SLAM LOCK C/W ALUM. REMOVABLE SEALING PLUG AND OPENING TOOL
8	1	ALUMINUM 6061-T6	FLUSH LIFT HANDLE
9	2	ALUMINUM 6061-T6	ANGLE 2 1/2 X 3 1/2 X 1/4"
10	5	ALUMINUM 6061-T6	C-CHANNEL 5 X 2 1/2 X 1/4"
11	2	ALUMINUM 6061-T6	2 1/2 X 1/4" FLAT BAR
12	2	STAINLESS STEEL 316	GAS SPRING ASSIST CYLINDER C/W ALUM. MOUNTING BRACKETS
13	1	ALUMINUM 6061-T6	1 1/2" NOM. PIPE HALF-COUPLING C/W 1 1/2" ABS ADAPTER/ELBOW
14	1	ALUMINUM 6061-T6	INTERNAL FLUSH/RECESSED LOCK BOX

- NOTE: 1. ALL ALUMINUM SURFACES IN CONTACT WITH CONCRETE SHALL RECEIVE 2 COATS OF BITUMINOUS PAINT.  
 2. WELDING SHALL CONFORM TO CSA 47.2 & CSA W59.2  
 3. WELDED SURFACES REMAIN AS WELDED.  
 4. HATCH IS DESIGNED WITH A H-20(142KN) WHEEL LOAD PER CLAUSE 3.8.4.3(A) OF CAN/CSA-S6  
 5. MSU ACCEPTS NO RESPONSIBILITY FOR THE DESIGN OF THE CONCRETE HOUSING THE HATCH.

PROJECT	LOCATION PROJECT
CONTRACTOR	CONTRACTOR
ARCHT/ENGR	ENGINEER
QTY.	PROJECT NO.
1	#

TITLE					
MSU M-H20 ALUM. ACCESS HATCH					
914 X 914					
NO.	DATE	BY	DATE	DWG. BY	PL. NO.
1				SCJ	CATA
SCALE			DWG. NO.		
NTS			MH20-1		