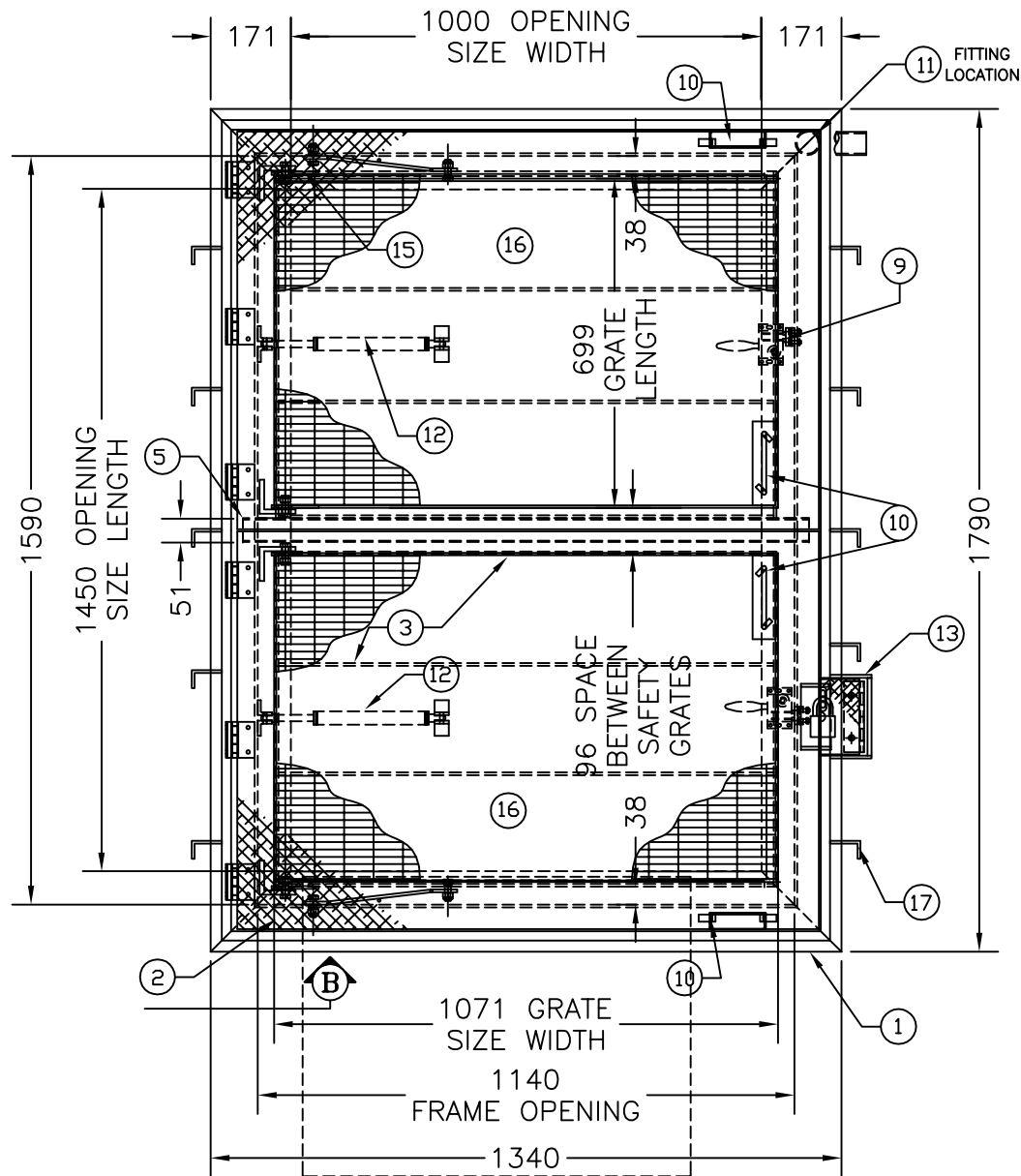
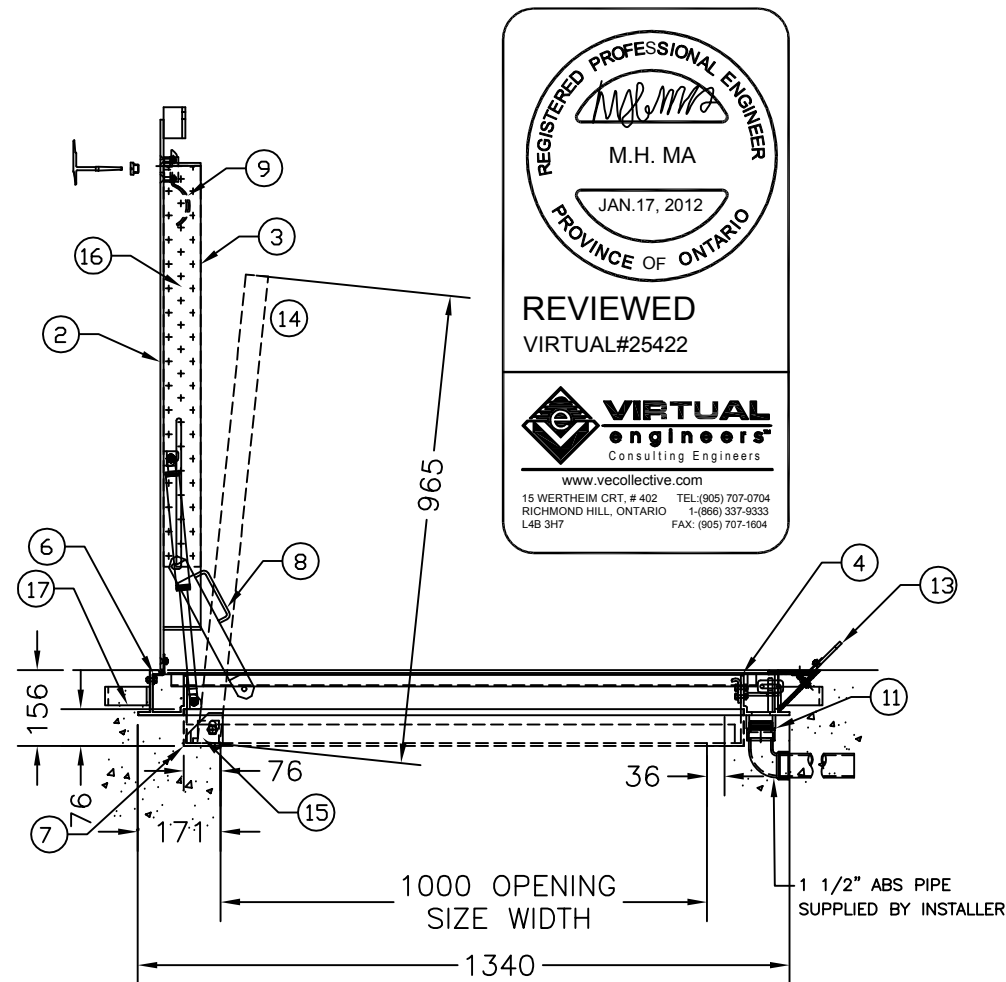
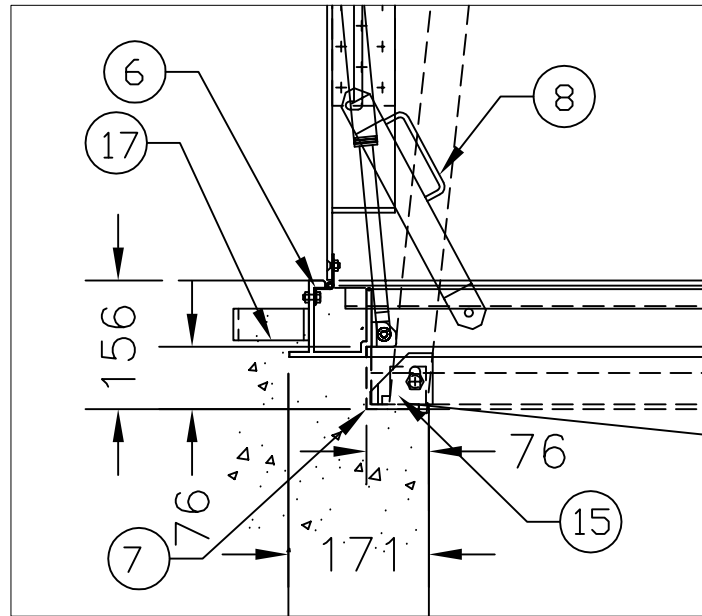


NOTE: GAS SPRING TO BE SHIPPED SPARATELY WITH HATCH.



DETAIL B



REGISTERED PROFESSIONAL ENGINEER  
*M.H. MA*  
 M.H. MA  
 JAN. 17, 2012  
 PROVINCE OF ONTARIO

REVIEWED  
 VIRTUAL#25422

**VIRTUAL**  
 engineers  
 Consulting Engineers

www.vecollective.com  
 15 WERTHEIM CRT. # 402 TEL: (905) 707-0704  
 RICHMOND HILL, ONTARIO 1-(866) 337-9333  
 L4B 3H7 FAX: (905) 707-1604

**MSU**  
**MISSISSAUGA LTD.**  
 PHONE: (905) 823-4340  
 WATTS: (800) 268-5336  
 WEBSITE: www.msumississauga.com

#	QTY.	MATERIAL	DESCRIPTION
1	4	ALUMINUM 6351-T6	FRAME EXTRUSION #P5709-1 WELD TO ITEM #16
2	2	ALUMINUM 6061-T6	1/4" TREAD PLATE
3	12	ALUMINUM 6061-T6	1/4" X 3" FLAT BAR REINFORCING
4	1	BLACK CORD NEOPRENE	PERIMETER SEALING GASKET
5	1	ALUMINUM 6061-T6	2"x1"x1/8" DRIP CHANNEL
6	6	STAINLESS STEEL 316	FORMED BUTT HINGE C/W 1/4" TAMPERPROOF FASTENERS
7	4	ALUMINUM 6061-T6	1/4 X 3 X 3" SUPPORT ANGLE WELD TO ITEM #1
8	2	STAINLESS STEEL 316	90 DEG. HOLD OPEN ARM C/W 1/4"Ø ROD FORMED HANDLE
9	2	STAINLESS STEEL 316	SLAM LOCK C/W ALUM. REMOVABLE SEALING PLUG AND OPENING TOOL
10	4	ALUMINUM 6061-T6	2-FLUSH LIFT HANDLE FOR COVER 2-FLUSH LIFT HANDLE FOR GRATE
11	1	ALUMINUM 6061-T6	1 1/2" NOM. PIPE HALF-COUPLING C/W 1 1/2" ABS ADAPTER/ELBOW
12	2	STAINLESS STEEL 316	GAS SPRING ASSIST CYLINDER C/W ALUM. MOUNTING BRACKETS
13	1	ALUMINUM 6061-T6	FLUSH/RECESSED LOCK
14	2	ALUMINUM 6061-T6	FRP GRATES
15	4	ALUMINUM 6061-T6	GRATING HINGE AND BOLT
16	2	SM INSULATION	2" SM. INSULATION U/S OF COVER c/w 18ga. ALUMINUM LINER PANEL
17	10	ALUMINUM 6061-T6	1 1/2 X 2 1/2 X 1/4 CAST ANCHOR 30 WIDE

NOTE: 1) ALL ALUMINUM SURFACES IN CONTACT WITH CONCRETE SHALL RECEIVE 2 COATS OF BITUMINOUS PAINT.  
 2) WELDING SHALL CONFORM TO CSA W47.2-R2008 CSA W59.2-R2008  
 3) REINFORCED TO WITHSTAND A LIVE LOAD OF 300 LBS/SQ.FT (14.4KPa) WITH MAX. DEFLECTION OF 1/150th OF THE SPAN. FOR HATCH COVERS AND GRATES.

PROJECT	LOCATION PROJECT
CONTRACTOR	CONTRACTOR
ARCHT/ENGR	ENGINEER
QTY. 1	PROJECT NO. #

TITLE	ALUMINUM ACCESS HATCH	
	MSU TYPE-MGP C/W ASSIST AND DRAIN	
NO.	DATE	BY
1	##/##/##	SCJ
PLNO.	CATA	DWG. NO.
		MG-3

THIS DOCUMENT CONTAINS PROPRIETARY INFORMATION AND OTHER RIGHTS WHICH ARE THE SOLE AND EXCLUSIVE PROPERTY OF MSU MISSISSAUGA LTD.

POSSESSION OF THIS MATERIAL DOES NOT CONVEY OR TRANSFER ANY RIGHTS THEREIN, AND REPRODUCTION, USE, COPYING OR DISCLOSURE TO OTHERS IS FORBIDDEN WITHOUT THE PRIOR WRITTEN CONSENT OF AN OFFICER OF MSU MISSISSAUGA LTD.

© MSU MISSISSAUGA LTD. - JULY 23RD, 2014

SECTION A