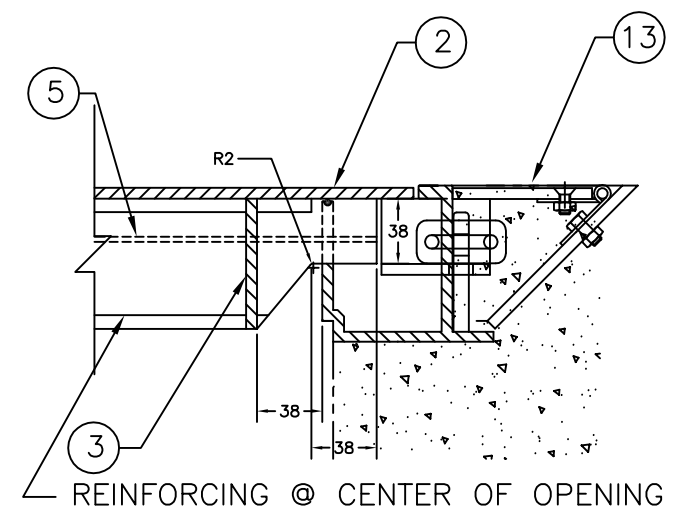


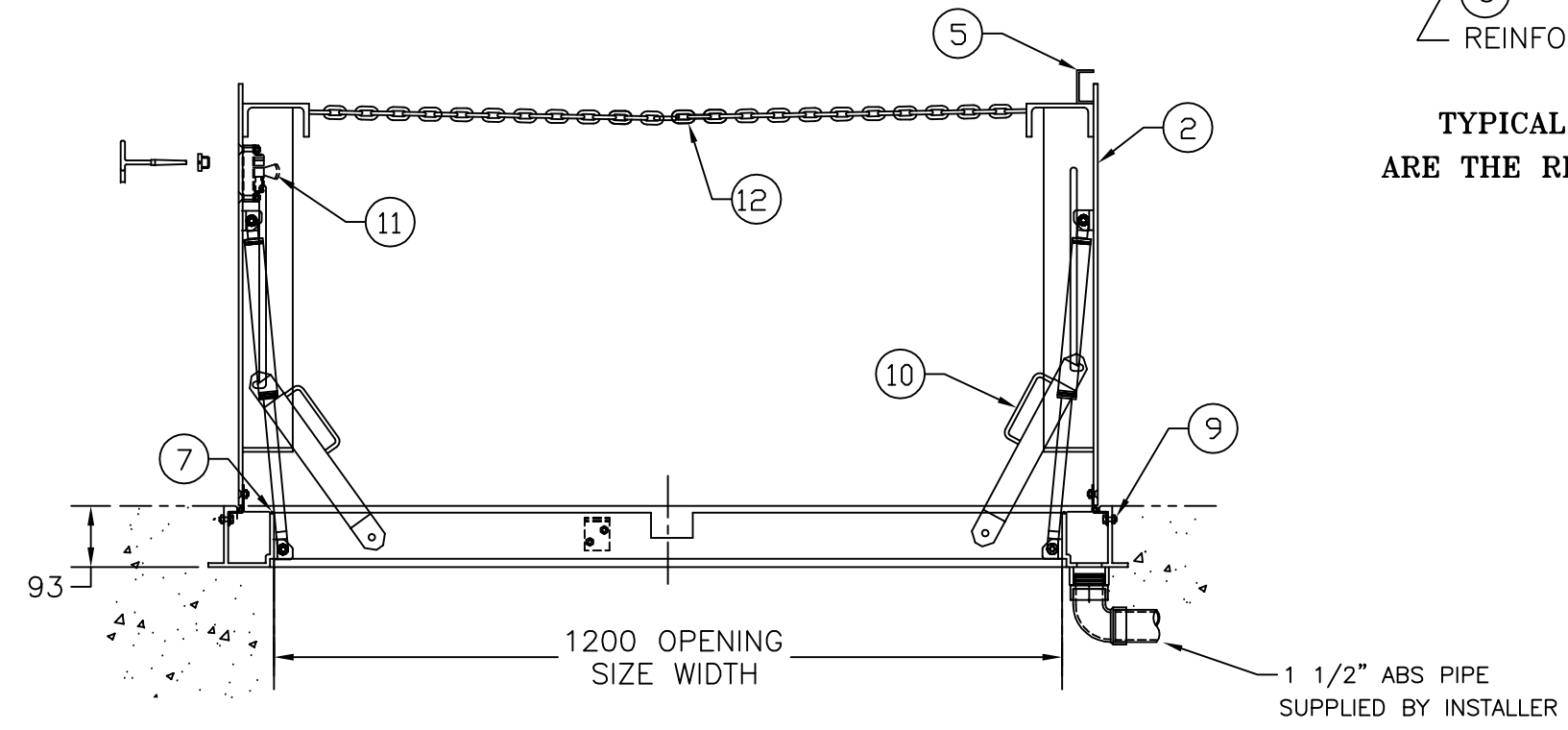
THIS DOCUMENT CONTAINS PROPRIETARY INFORMATION AND OTHER RIGHTS WHICH ARE THE SOLE AND EXCLUSIVE PROPERTY OF MSU MISSISSAUGA LTD.

POSSESSION OF THIS MATERIAL DOES NOT CONVEY OR TRANSFER ANY RIGHTS THEREIN, AND REPRODUCTION, USE, COPYING OR DISCLOSURE TO OTHERS IS FORBIDDEN WITHOUT THE PRIOR WRITTEN CONSENT OF AN OFFICER OF MSU MISSISSAUGA LTD.

© MSU MISSISSAUGA LTD. - JULY 23RD, 2014



TYPICAL SECTION A-A WHEN CHANNELS ARE THE REINFORCING @ CENTER OF OPENING



#	QTY.	MATERIAL	DESCRIPTION
1	4	ALUMINUM 6351-T6	FRAME EXTRUSION #8448
2	2	ALUMINUM 6061-T6	1/4" TREAD PLATE
3	12	ALUMINUM 6061-T6	REINFORCING 76X6 @ 300 MAX C/C
4	1	ALUMINUM 6061-T6	1 1/2" NOM. PIPE HALF-COUPLING C/W 1 1/2" ABS ADAPTER/ELBOW
5	1	ALUMINUM 6061-T6	2" X 1" X 1/8" DRIP CHANNEL C/W 1/16" NEOPRENE SEAL
6	1	ALUMINUM 6061-T6	M-TYPE LIFT HANDLE
7	1	BLACK CORD NEOPRENE	PERIMETER SEALING GASKET
8	2	STAINLESS STEEL 316	GAS SPRING ASSIST CYLINDER C/W ALUM. MOUNTING BRACKETS
9	6	STAINLESS STEEL 316	SS316 BUTT HINGES C/W 1/4" TAMPERPROOF FASTENERS
10	2	STAINLESS STEEL 316	90 DEG. HOLD ARM C/W 1/4" FORMED ROD HANDLE
11	2	STAINLESS STEEL 316	SLAM LOCK C/W ALUM. REMOVABLE SEALING PLUG AND OPENING TOOL
12	2	STAINLESS STEEL 316	3/16" SAFETY CHAIN
13	1	ALUMINUM 6061-T6	RECESSED PADLOCK HASP
14	2	ALUMINUM 6061-T6	102X51X6mm C-CHANNEL

NOTE: 1) ALL ALUMINUM SURFACES IN CONTACT WITH CONCRETE SHALL RECEIVE 2 COATS OF BITUMINOUS PAINT.
 2) WELDING SHALL CONFORM TO CSA W47.2 & CSA W59.2
 3) REINFORCED TO WITHSTAND A LIVE LOAD OF 300 LBS/SQ.FT (14.4KPa) WITH MAX. DEFLECTION OF 1/150th OF THE SPAN.

PROJECT	LOCATION PROJECT	
CONTRACTOR	CONTRACTOR	
ARCHT/ENGR	ENGINEER	
QTY.	1	PROJECT NO. #

TITLE					
MSU TYPE-MD ALUM. ACCESS HATCH c/w ASSIST & DRAIN					
NO.	DATE	BY	DATE	DWG. BY:	PLNO.
1			##/##/##	SCJ	CATA
2				CHK'D BY:	DWG. NO.
			SCALE		M-2
			NTS		