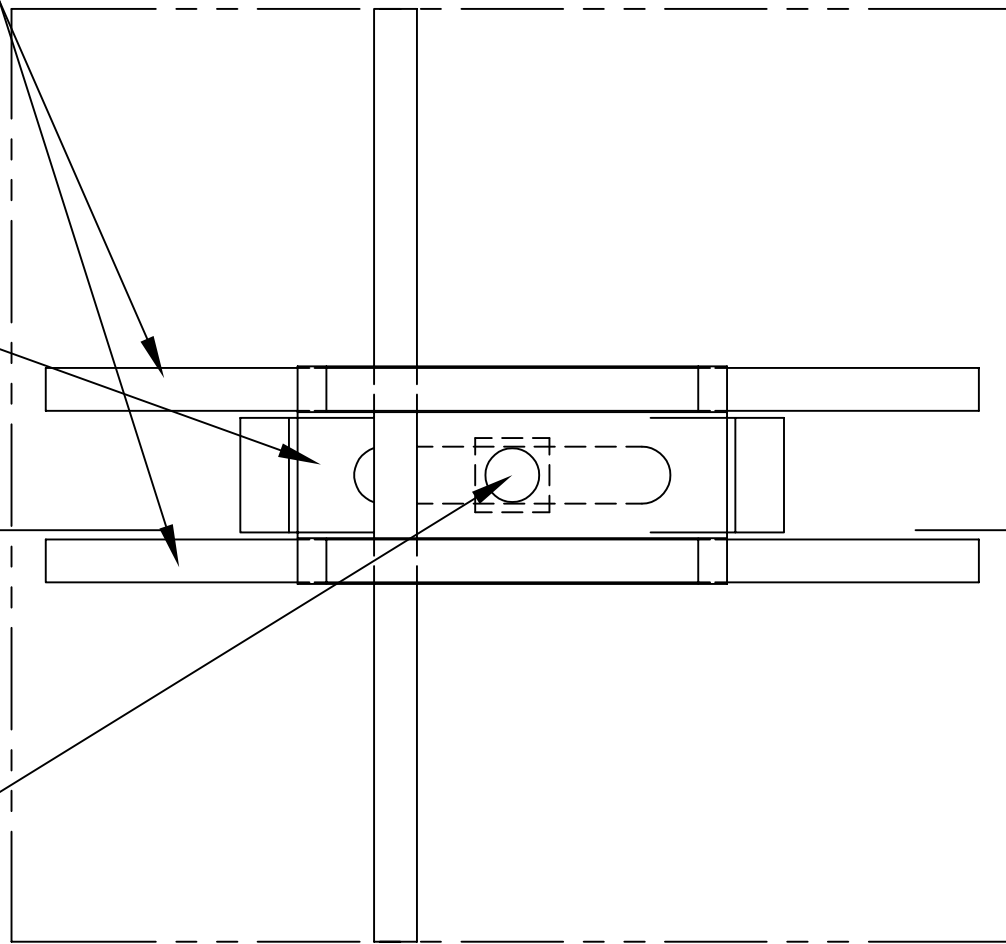


2-15MM X 1200MM
LONG REBAR

DAYTON SUPERIOR
P-39 NUT TYPE
SLOTTED INSERT



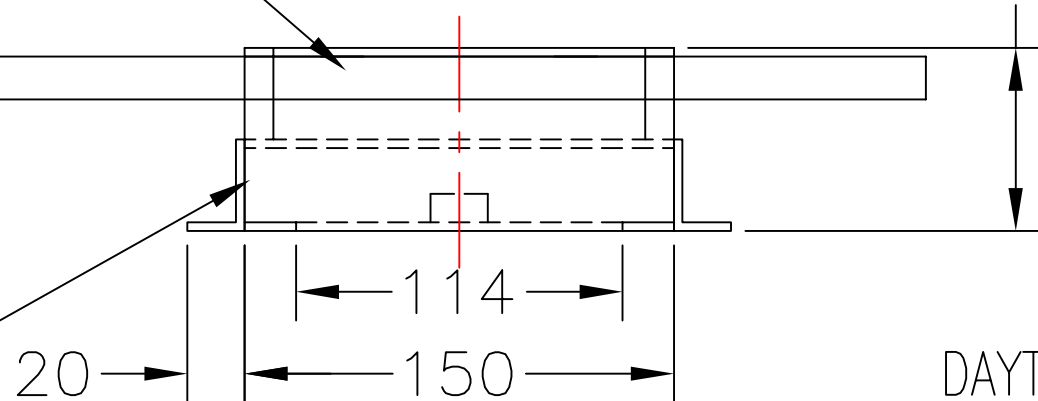
DAYTON SUPERIOR
F-49-A EYE BOLT
WITH NUT



2-15MM X 1200MM LONG
REBAR IN EACH SLOTTED
HOLE

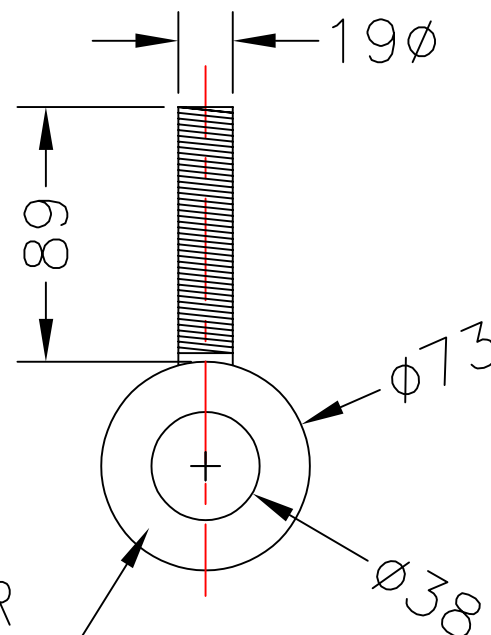
64 89
OR 114MM

DAYTON SUPERIOR
P-39 NUT TYPE
SLOTTED INSERT



DAYTON SUPERIOR
F-49-A EYE BOLT

SECTION A-A



MSU
MISSISSAUGA LTD.
PHONE: (905) 823-4340
WATTS: (800) 268-5336
WEBSITE: www.msumississauga.com

#	QTY.	MATERIAL	DESCRIPTION
---	------	----------	-------------

THIS DOCUMENT CONTAINS PROPRIETARY INFORMATION AND OTHER RIGHTS WHICH ARE THE SOLE AND EXCLUSIVE PROPERTY OF MSU MISSISSAUGA LTD.

POSSESSION OF THIS MATERIAL DOES NOT CONVEY OR TRANSFER ANY RIGHTS THEREIN, AND REPRODUCTION, USE, COPYING OR DISCLOSURE TO OTHERS IS FORBIDDEN WITHOUT THE PRIOR WRITTEN CONSENT OF AN OFFICER OF MSU MISSISSAUGA LTD.

© MSU MISSISSAUGA LTD. - JULY 23RD, 2014

SEE DAYTON SUPERIOR DATA SHEET
@WWW.DAYTONSUPERIOR.COM

LOCATION	
PROJECT	
CONTRACTOR	CONTRACTOR
ARCHT/ENG'R	ENGINEER
QTY. 1	PROJECT NO. #

TITLE					
DAYTON SUPERIOR LIFT HOOK					
OPSD 1101.019					
NO.	DATE	BY	DATE	DWG. BY:	PL. NO.
1			##/##/##	SCJ	CATA
SCALE			DWG. NO.		
NTS			LIFTHOOK-2		