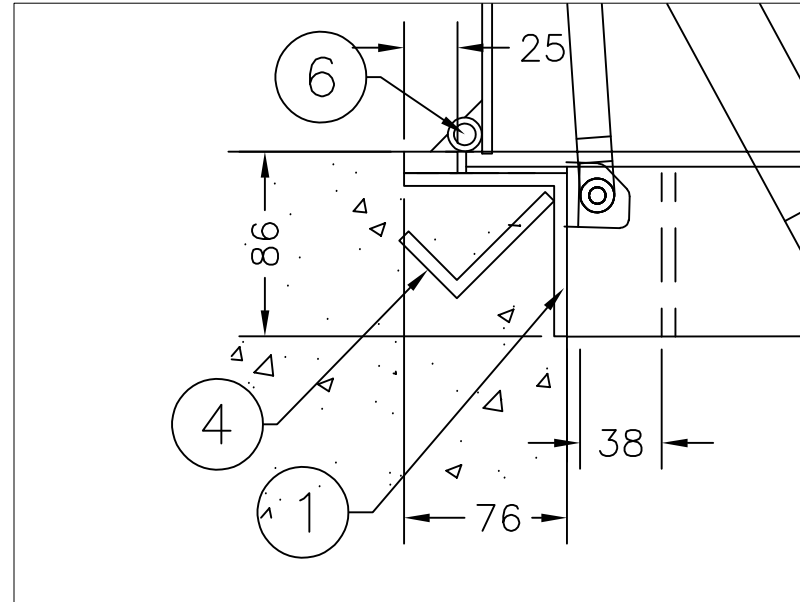
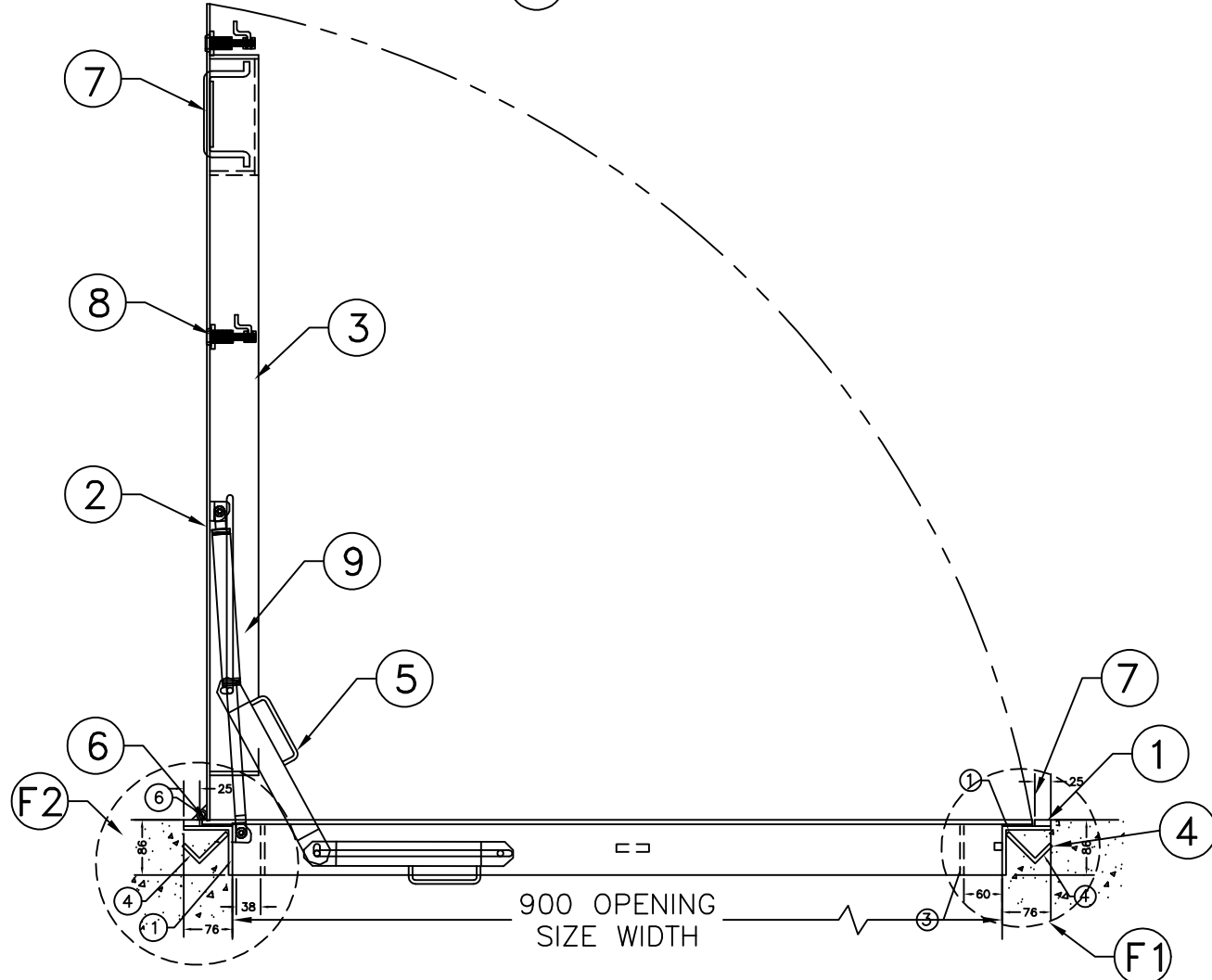


DETAIL "F1"



DETAIL "F2"



| # | QTY. | MATERIAL | DESCRIPTION |
|----|------|---------------------|--|
| 1 | 4 | STAINLESS STEEL 316 | 76x76x6mm ANGLE FRAME C/W NEOPRENE SEAL |
| 2 | 1 | STAINLESS STEEL 316 | 6.4mm TREAD PLATE |
| 3 | 5 | STAINLESS STEEL 316 | 76X6mm FLAT BAR REINFORCING |
| 4 | 8 | STAINLESS STEEL 316 | 6mm X 38 CASTIN ANCHOR 38 X 64 LG |
| 5 | 1 | STAINLESS STEEL 316 | 90 DEG. HOLD OPEN ARM |
| 6 | 3 | STAINLESS STEEL 316 | WELD-ON HINGES WELDED TO ITEM #1 |
| 7 | 1 | STAINLESS STEEL 316 | 3/8" ROD FORMED DROP HANDLE C/W SEALED UNDERSIDE BOX |
| 8 | 3 | STAINLESS STEEL 316 | SOUTHCO COMPRESSION LATCH C/W OPENING KEY |
| 9 | 1 | STAINLESS STEEL 316 | GAS LIFT ASSIST |
| 10 | 4 | STAINLESS STEEL 316 | 1/4 X 1" FLAT BAR WELDED TO |

THIS DOCUMENT CONTAINS PROPRIETARY INFORMATION AND OTHER RIGHTS WHICH ARE THE SOLE AND EXCLUSIVE PROPERTY OF MSU MISSISSAUGA LTD.

POSSESSION OF THIS MATERIAL DOES NOT CONVEY OR TRANSFER ANY RIGHTS THEREIN, AND REPRODUCTION, USE, COPYING OR DISCLOSURE TO OTHERS IS FORBIDDEN WITHOUT THE PRIOR WRITTEN CONSENT OF AN OFFICER OF MSU MISSISSAUGA LTD.

© MSU MISSISSAUGA LTD. - JULY 23RD, 2014

- NOTE: 1) WELDING SHALL CONFORM TO CSA W47.1 & AWS D1.6
 2) REINFORCED TO WITHSTAND A LIVE LOAD OF 300 LBS/SQ.FT (14.4KPa)

| | |
|------------|---------------|
| PROJECT | LOCATION |
| CONTRACTOR | PROJECT |
| ARCHT/ENGR | CONTRACTOR |
| QTY. | ENGINEER |
| 1 | PROJECT NO. # |

| | | | | | |
|--------------------------------|-----|------|----|---------|----------|
| TITLE | | | | | |
| MSU TYPE-GT 316SS ACCESS HATCH | | | | | |
| GAS TIGHT SEALING | | | | | |
| REVISION | NO. | DATE | BY | DATE | PL. NO. |
| ▲ | | | | ###/### | SCJ CATA |
| | | | | SCALE | DWG. NO. |
| | | | | NTS | GT-3 |