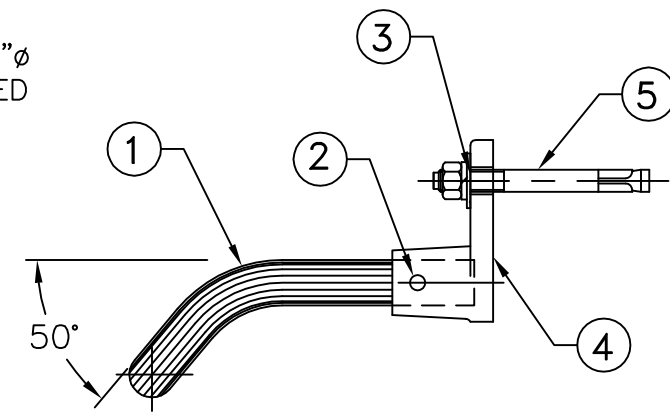
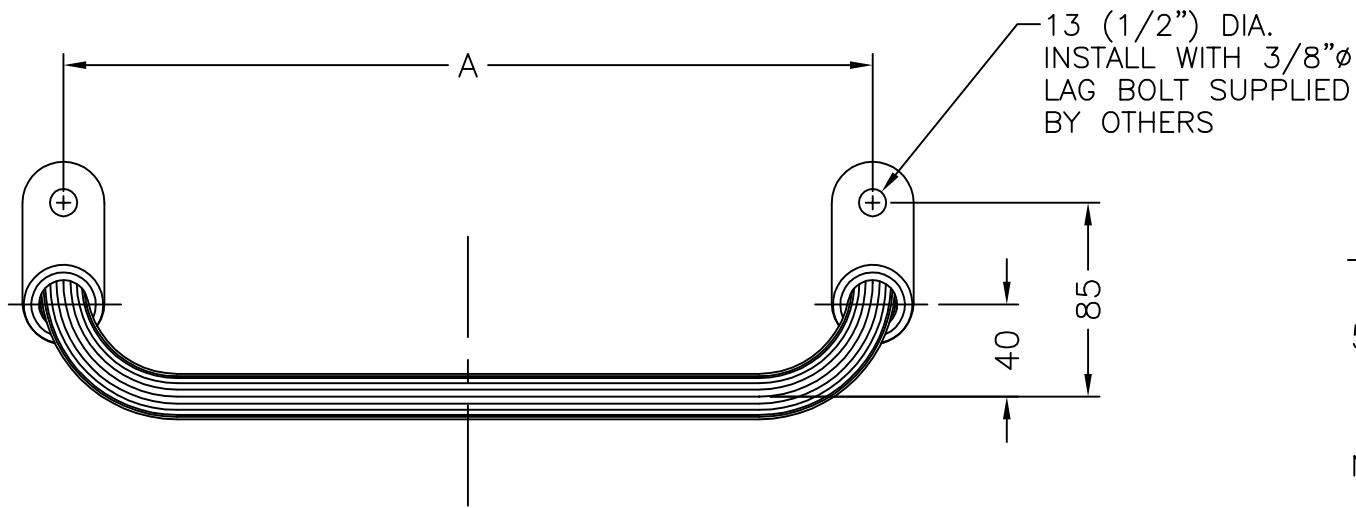
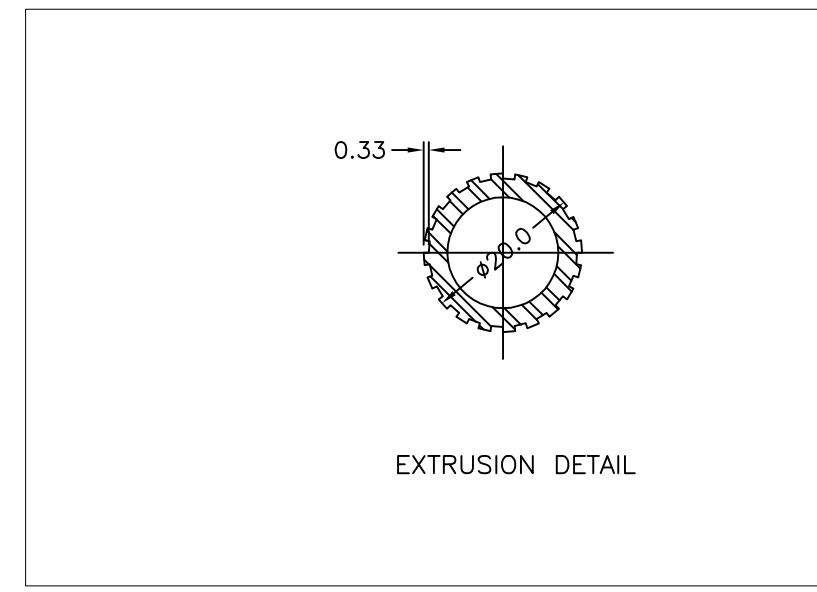
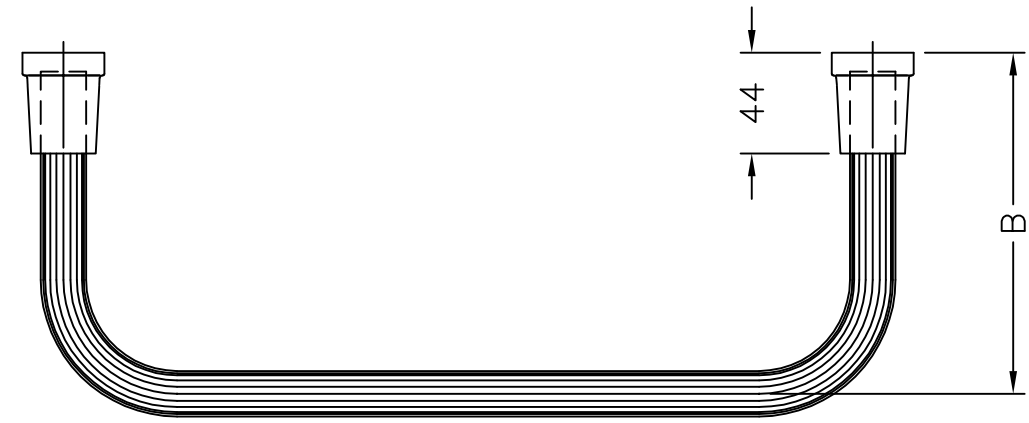


**MSU
MISSISSAUGA LTD.**

PHONE: (905) 823-4340

WATTS: (800) 268-5336

WEBSITE: www.msumississauga.com



NOTE: FOR FLAT WALL APPLICATIONS

	DIM A	DIM B
	305 (12")	150 (6")
	356 (14")	150 (6")
*	406 (16")	150 (6")
	406 (16") BNQ	160 (6 3/8")

#	QTY.	MATERIAL	DESCRIPTION
1	1	CSA HA5 ALUM. 6351-T6	20.0 OD X 14.0 ID 6-8435 ALUM EXTRUSION
2	4	STAINLESS STEEL 304	D66BS BLIND RIVET
3	2	ALUM ASSO A413-1	CAST ALUM FLAT FLANGE
4	2	BLACK BITUMINOUS	ISOLATION PAINT

THIS DOCUMENT CONTAINS PROPRIETARY INFORMATION AND OTHER RIGHTS WHICH ARE THE SOLE AND EXCLUSIVE PROPERTY OF MSU MISSISSAUGA LTD.

POSSESSION OF THIS MATERIAL DOES NOT CONVEY OR TRANSFER ANY RIGHTS THEREIN, AND REPRODUCTION, USE, COPYING OR DISCLOSURE TO OTHERS IS FORBIDDEN WITHOUT THE PRIOR WRITTEN CONSENT OF AN OFFICER OF MSU MISSISSAUGA LTD.

© MSU MISSISSAUGA LTD. - JULY 23RD, 2014

NOTE: 1) ALL ALUMINUM SURFACES IN CONTACT WITH CONCRETE SHALL RECEIVE 2 COATS OF BITUMINOUS PAINT.
 2) WELDING SHALL CONFORM TO CSA W47.2 & CSA W59.2
 3) GROUND ROUGH EDGES SMOOTH. WELDED SUFACES REMAIN AS WELDED.

PROJECT	LOCATION PROJECT	
CONTRACTOR	CONTRACTOR	
ARCHT/ENGR	ENGINEER	
QTY.	1	PROJECT NO. #

TITLE					
MSU MODEL 370 CLIMBING STEP BOLT-ON STYLE GRAB BAR					
NO.	DATE	BY	DATE	DWG. BY:	PL. NO.
1				SCJ	CATA
SCALE			NTS	CHK'D BY:	DWG. NO.
					GRAB-5