

#	QTY.	MATERIAL	DESCRIPTION
1	15	ALUMINUM 6351-T6	20MM OD RUNGS EXT. # H-5744
2	2	ALUMINUM 6351-T6	30MM #1112 EXTENSION
3	1	ALUMINUM 6351-T6	#3108 SAFETY CAGE
4	8	ALUMINUM 6351-T6	#8120 BOLT-ON LADDER BRACKET x 152.4mm LONG
5	2	ALUMINUM 6351-T6	LOCK TABS FOR LOCKING PLATES
6	8	STAINLESS STEEL 304	10x95MM WEDGE ANCHOR C/W NUT, FLAT & LOCK WASHER
7	2	ALUMINUM 6351-T6	10x127x76mm WELDED BRKT. FLANGE
8	2	ORANGE POLYETHYLENE	PLASTIC END CAP
9	2	ALUMINUM 6351-T6	6MM TREAD LOCKING PLATES C/W WELD ON HINGES

THIS DOCUMENT CONTAINS PROPRIETARY INFORMATION AND OTHER RIGHTS WHICH ARE THE SOLE AND EXCLUSIVE PROPERTY OF MSU MISSISSAUGA LTD.

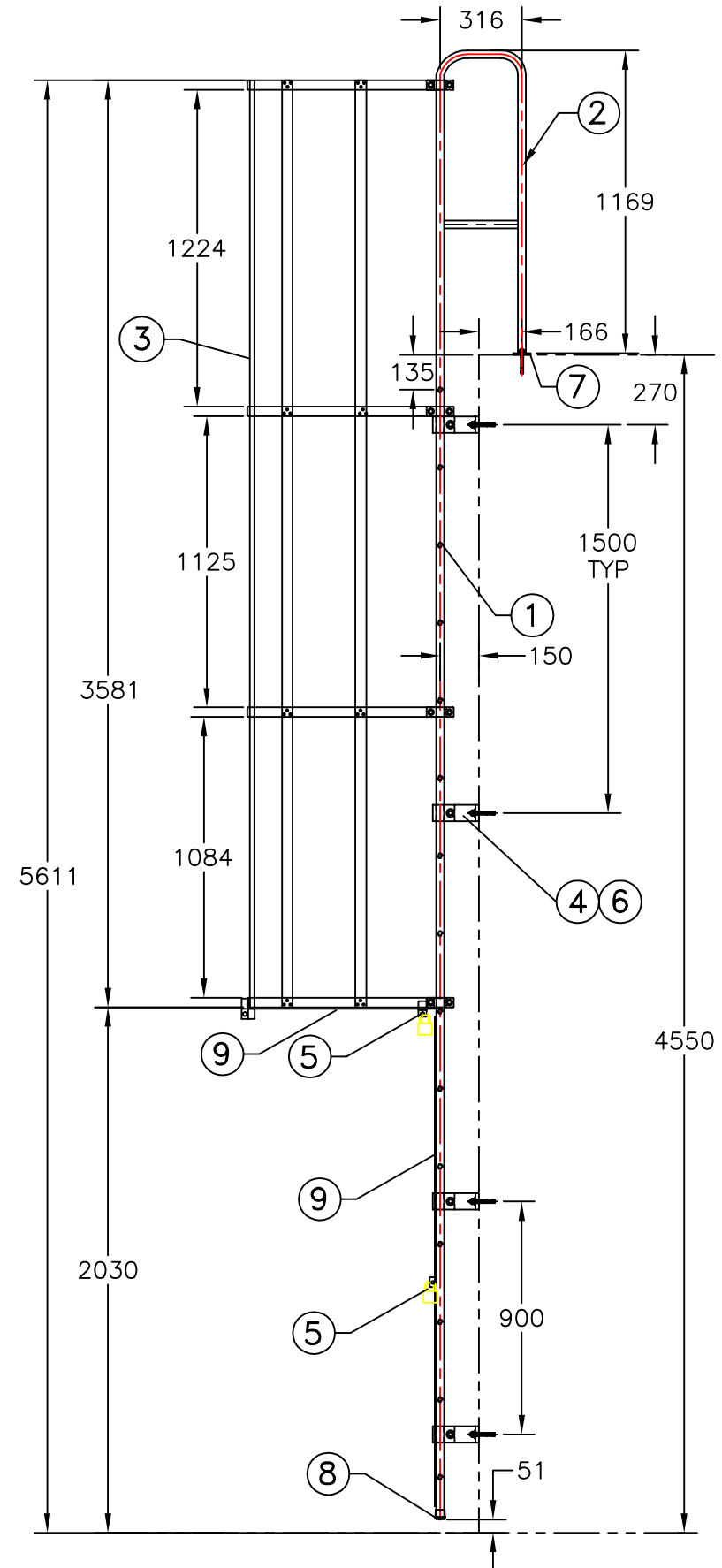
POSSESSION OF THIS MATERIAL DOES NOT CONVEY OR TRANSFER ANY RIGHTS THEREIN, AND REPRODUCTION, USE, COPYING OR DISCLOSURE TO OTHERS IS FORBIDDEN WITHOUT THE PRIOR WRITTEN CONSENT OF AN OFFICER OF MSU MISSISSAUGA LTD.

© MSU MISSISSAUGA LTD. - JULY 23RD, 2014

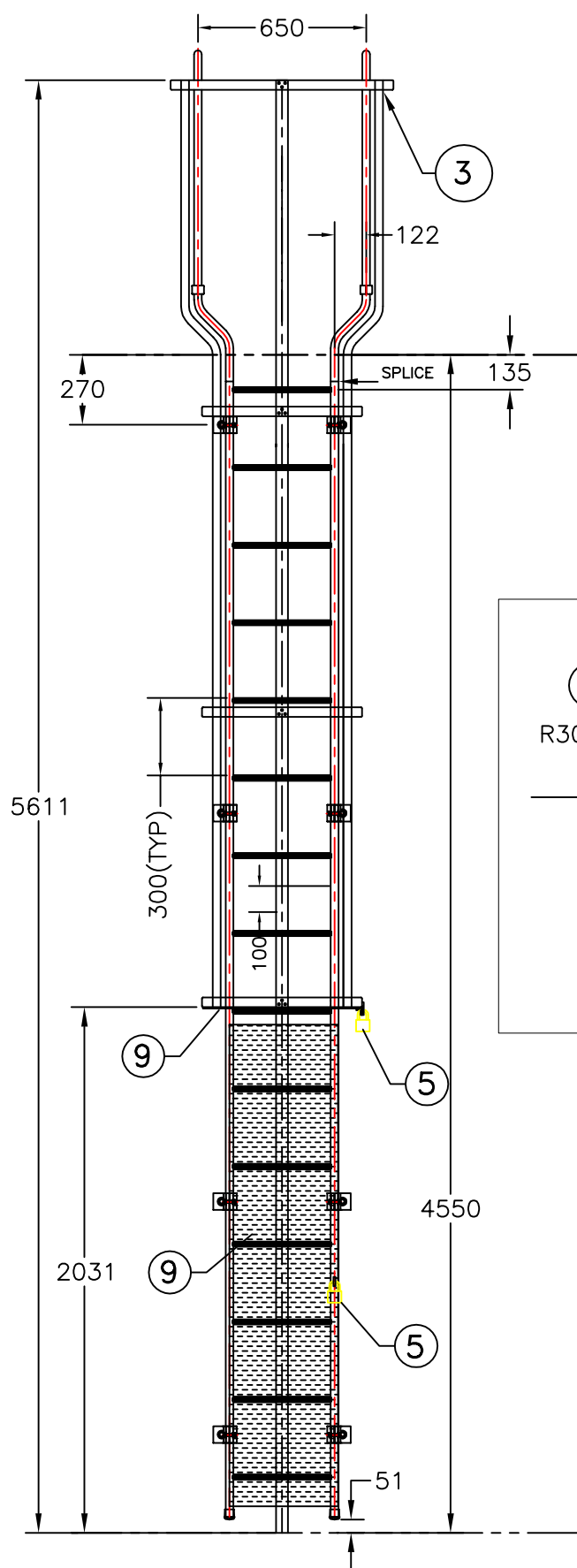
NOTE: 1) WELDING SHALL CONFORM TO CSA W47.2 & CSA W59.2  
 2) GROUND ROUGH EDGES SMOOTH.

PROJECT	LOCATION PROJECT
CONTRACTOR	CONTRACTOR
ARCHT/ENG'R	ENGINEER
QTY. #	PROJECT NO.

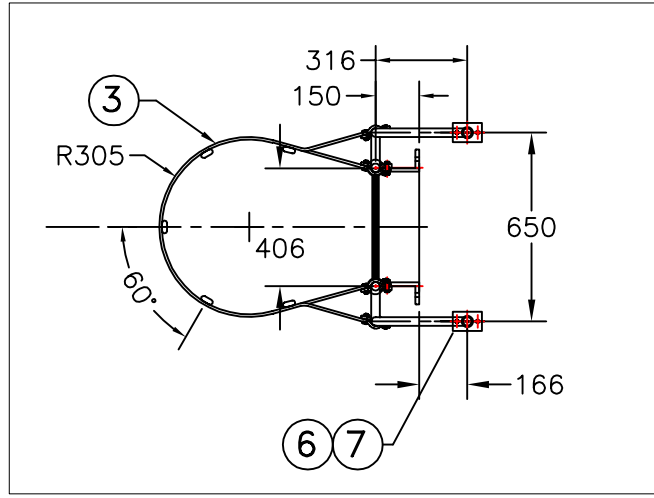
TITLE					
ALUMINUM SAFETY CAGE ASSEMBLY C\W 1112 ENTRY & EXIT LADDER					
REVISION	NO.	DATE	BY	DATE	DWG. BY:
▲				###/##/##	SCJ
▲				SCALE	PLNO. CATA
				NTS	DWG. NO. CAGE-1



SIDE VIEW



FRONT VIEW



PLAN VIEW