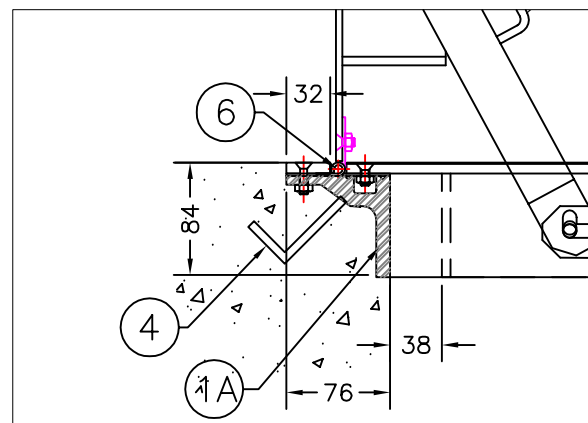
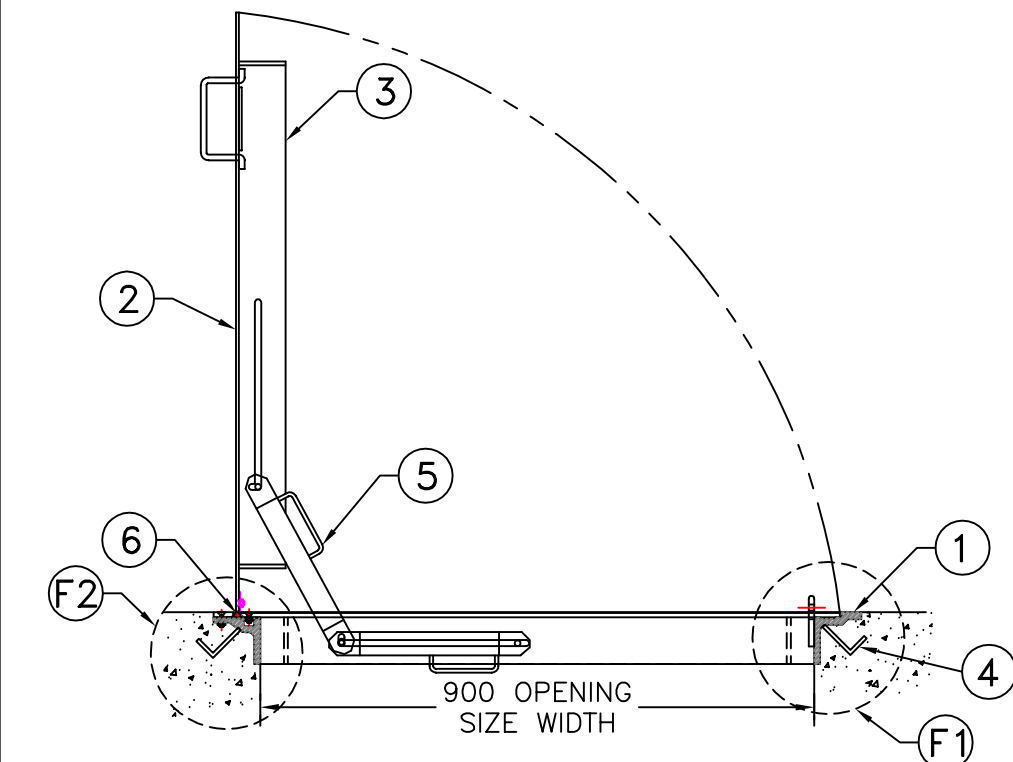


DETAIL "F1"



DETAIL "F2"



QTY	MODEL#	OVERALL WIDTH	OPENING WIDTH	OPENING LENGTH	OVERALL LENGTH	REINFORCING BAR SIZE
	CP1	952	800	1250	1402	76.2x6.4mm
	CP2	1052	900	1450	1602	76.2x6.4mm
	CP3	1352	1200	1600	1752	76.2x9.5mm
	CP4	1477	1325	1700	1852	76.2x12.7mm
	CP5	1372	1220	1220	1372	76.2x9.5mm

#	QTY.	MATERIAL	DESCRIPTION
1	3	ALUM. EXT. 6061-T6	FRAME EXTRUSION # S8984
1A	1	ALUM. EXT. 6061-T6	FRAME EXTRUSION # S8983
2	2	ALUM. PLT. 6061-T6	6.4mm TREAD PLATE
3	12	ALUM. EXT. 6061-T6	76X6mm FLAT BAR REINFORCING
4	AS REQD	ALUM. EXT. 6061-T6	6mm X 38 CASTIN ANCHOR 38 X 100 LG @300mm C/C
5	2	STAINLESS STEEL 316	90 DEG. HOLD OPEN ARM
6	2	STAINLESS STEEL 316	3" CONT. HINGE C/W 1/4" TAMPERPROOF FASTENERS & 6X42mm ALUM. FLAT BAR
7	2	ALUM. EXT. 6061-T6	TYPE-1 RECESSED DROP HANDLE
8	2	ALUM. EXT. 6061-T6	LOCK TAB

THIS DOCUMENT CONTAINS PROPRIETARY INFORMATION AND OTHER RIGHTS WHICH ARE THE SOLE AND EXCLUSIVE PROPERTY OF MSU MISSISSAUGA LTD.

POSSESSION OF THIS MATERIAL DOES NOT CONVEY OR TRANSFER ANY RIGHTS THEREIN, AND REPRODUCTION, USE, COPYING OR DISCLOSURE TO OTHERS IS FORBIDDEN WITHOUT THE PRIOR WRITTEN CONSENT OF AN OFFICER OF MSU MISSISSAUGA LTD.

© MSU MISSISSAUGA LTD. - JULY 23RD, 2014

- NOTE: 1) ALL ALUMINUM SURFACES IN CONTACT WITH CONCRETE SHALL RECEIVE 2 COATS OF BITUMINOUS PAINT.
 2) WELDING SHALL CONFORM TO CSA W47.2 & CSA W59.2
 3) GROUND ROUGH EDGES SMOOTH. WELDED SURFACES REMAIN AS WELDED.
 4) REINFORCED TO WITHSTAND A LIVE LOAD OF 150 LBS/SQ.FT (7.2kPa) WITH MAX. DEFLECTION OF 1/150th OF THE SPAN.

PROJECT	LOCATION PROJECT	
CONTRACTOR	CONTRACTOR	
ARCHT/ENG'R	ENGINEER	
QTY.	1	PROJECT NO. #

MSU TYPE-CP ALUM. ACCESS HATCH					
NO.	DATE	BY	DATE	DWG. BY:	PL. NO.
1			###/###/###	SCJ	CATA
SCALE	NTS		CHK'D BY:	DWG. NO. C-3	