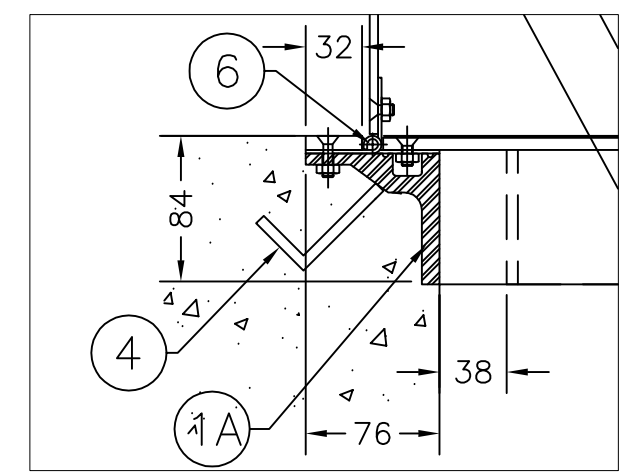
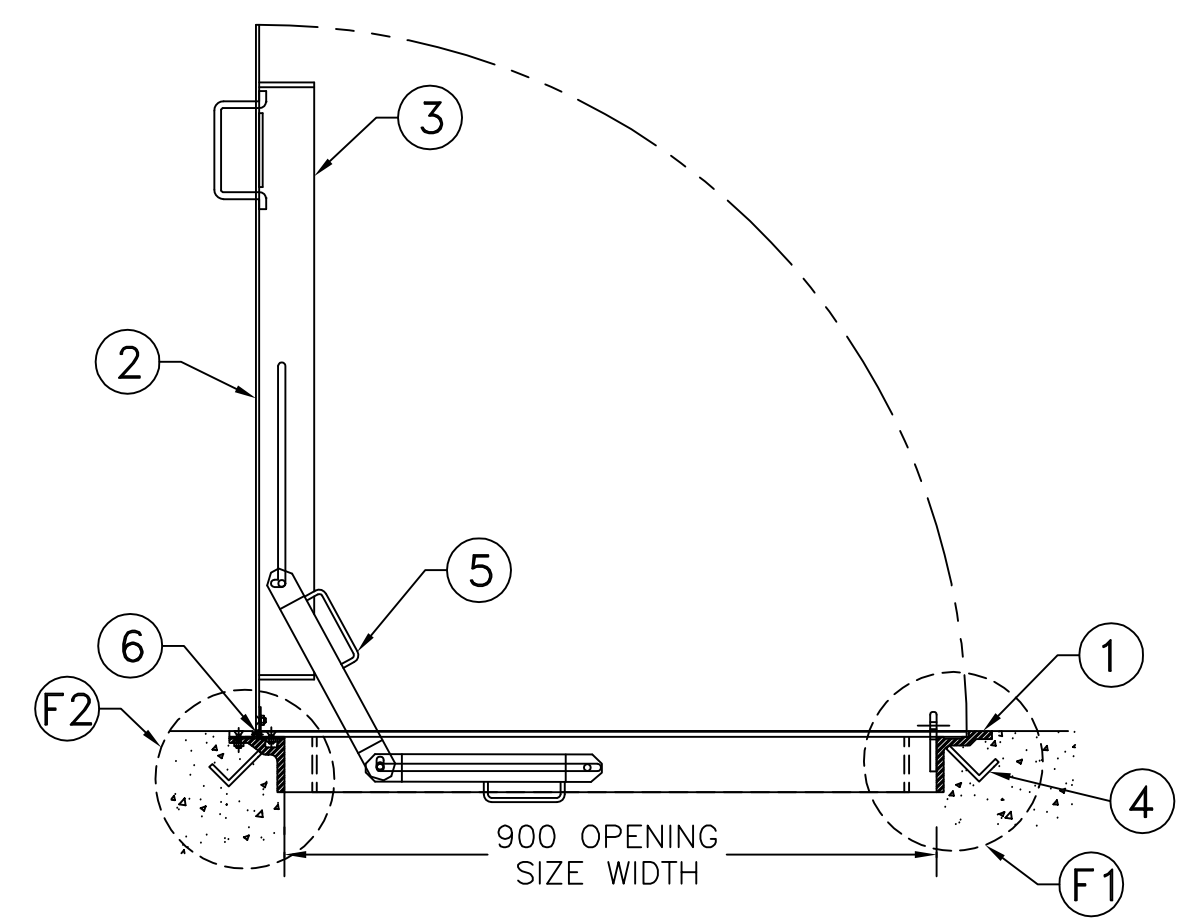


DETAIL "F1"



DETAIL "F2"



#	QTY.	MATERIAL	DESCRIPTION
1	3	ALUM. EXT. 6061-T6	FRAME EXTRUSION # S8984
1A	1	ALUM. EXT. 6061-T6	FRAME EXTRUSION # S8983
2	1	ALUM. PLT. 6061-T6	6.4mm TREAD PLATE
3	6	ALUM. EXT. 6061-T6	76X6mm FLAT BAR REINFORCING
4	12	ALUM. EXT. 6061-T6	38 x 64 x 6 CASTIN ANCHOR
5	1	STAINLESS STEEL 316	90 DEG. HOLD OPEN ARM
6	1	STAINLESS STEEL 316	3" CONT. HINGE C/W 1/4" TAMPERPROOF FASTENERS & 6X42mm ALUM. FLAT BAR
7	1	ALUM. EXT. 6061-T6	TYPE-1 RECESSED DROP HANDLE
8	1	ALUM. EXT. 6061-T6	LOCK TAB

THIS DOCUMENT CONTAINS PROPRIETARY INFORMATION AND OTHER RIGHTS WHICH ARE THE SOLE AND EXCLUSIVE PROPERTY OF MSU MISSISSAUGA LTD.

POSSESSION OF THIS MATERIAL DOES NOT CONVEY OR TRANSFER ANY RIGHTS THEREIN, AND REPRODUCTION, USE, COPYING OR DISCLOSURE TO OTHERS IS FORBIDDEN WITHOUT THE PRIOR WRITTEN CONSENT OF AN OFFICER OF MSU MISSISSAUGA LTD.

© MSU MISSISSAUGA LTD. - APRIL 6TH, 2002.

NOTE: 1) ALL ALUMINUM SURFACES IN CONTACT WITH CONCRETE SHALL RECEIVE 2 COATS OF BITUMINOUS PAINT.
 2) WELDING SHALL CONFORM TO CSA W47.2 & CSA W59.2
 3) GROUND ROUGH EDGES SMOOTH. WELDED SURFACES REMAIN AS WELDED.
 4) REINFORCED TO WITHSTAND A LIVE LOAD OF 150 LBS/SQ.FT (7.2kPa) WITH MAX. DEFLECTION OF 1/150th OF THE SPAN.

QTY	MODEL#	OVERALL WIDTH	OPENING WIDTH	OPENING LENGTH	OVERALL LENGTH
	C1	752	600	600	752
	C2	902	750	750	902
	C3	902	750	900	1052
#	C4	1052	900	900	1052
	C5	1202	1050	1050	1202
	C6	1152	1000	900	1052

PROJECT	LOCATION PROJECT
CONTRACTOR	CONTRACTOR
ARCHT/ENGR	ENGINEER
QTY. #	PROJECT NO. #

TITLE MSU TYPE-C4 ALUMINUM ACCESS HATCH					
NO.	DATE	BY	DATE	DWG. BY	PL. NO.
1			##/##/##	SCJ	CATA
REVISION	SCALE	CHK'D BY		DWG. NO.	
	NTS			C-1	