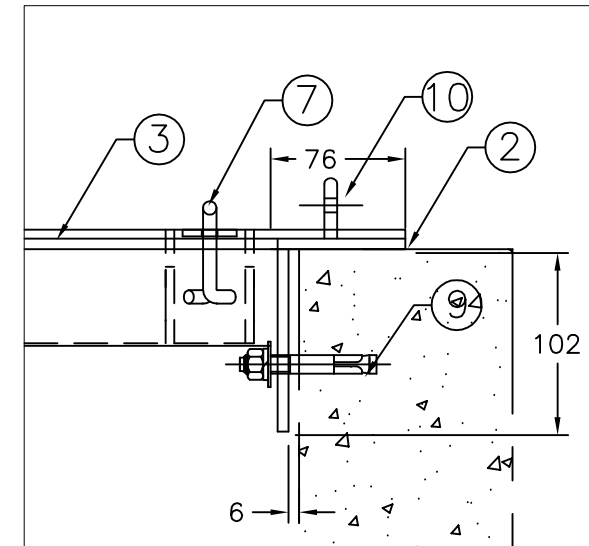
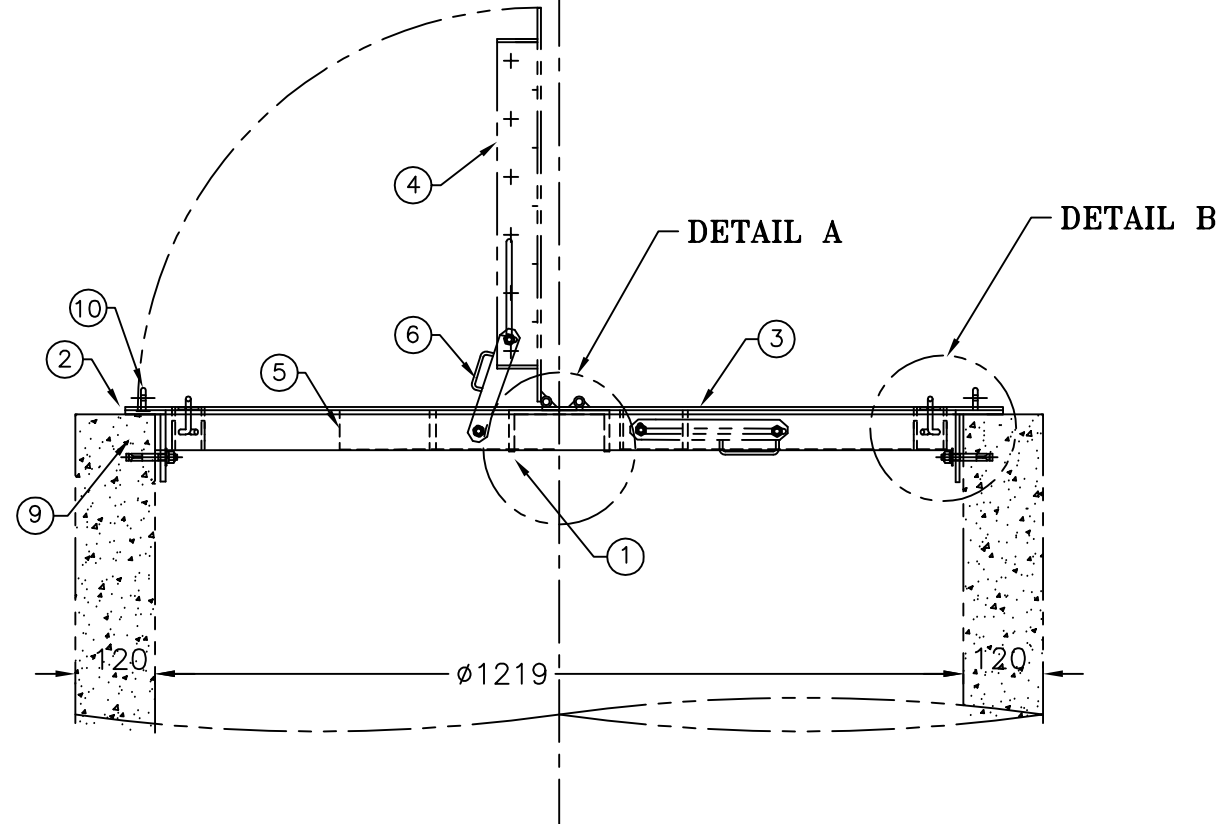


DETAIL A

THIS DOCUMENT CONTAINS PROPRIETARY INFORMATION AND OTHER RIGHTS WHICH ARE THE SOLE AND EXCLUSIVE PROPERTY OF MSU MISSISSAUGA LTD.

POSSESSION OF THIS MATERIAL DOES NOT CONVEY OR TRANSFER ANY RIGHTS THEREIN, AND REPRODUCTION, USE, COPYING OR DISCLOSURE TO OTHERS IS FORBIDDEN WITHOUT THE PRIOR WRITTEN CONSENT OF AN OFFICER OF MSU MISSISSAUGA LTD.

© MSU MISSISSAUGA LTD. - JULY 23RD, 2014



DETAIL B

**MSU MISSISSAUGA LTD.**  
PHONE: (905) 823-4340  
WATTS: (800) 268-5336  
WEBSITE: www.msumississauga.com

#	QTY.	MATERIAL	DESCRIPTION
1	1	ALUM. 6061-T6	152X64X6mm CHANNEL SUPPORT WELD TO ITEM #2
2	1	ALUM. 6061-T6	1-76X6&1-127x6mm F.B. FRAME ROLLED AND WELDED CONSTRUCTION
3	3	ALUM. 6061-T6	6.35mm TREAD PLATE
4	12	ALUM. 6061-T6	76 X 6mm REINFORCING FLAT BAR
5	4	ALUM. 6061-T6	76 X 10mm FLAT BAR FRAME
6	2	STAINLESS STEEL 304	90° HOLD OPEN ARM
7	2	ALUM. 6061-T6	RECESSED ROD FORMED HANDLE
8	8	ALUM. 6061-T6	WELD ON HINGES
9	14	STAINLESS STEEL 304	12ØX95mm WEDGE ANCHORS C/W NUT, FLAT & LOCK WASHERS
10	2	ALUM. 6061-T6	LOCK TAB
11	1	SM STYROFOAM	2" STYROFOAM INSULATION C/W 3/16 X 1 1/2" FLAT BAR TABS

NOTE: 1) ALL ALUMINUM SURFACES IN CONTACT WITH CONCRETE SHALL RECEIVE 2 COATS OF BITUMINOUS PAINT.  
2) WELDING SHALL CONFORM TO CSA W47.2 & CSA W59.2  
3) HATCH HAS BEEN DESIGNED TO WITHSTAND 300 LBS./SQ. FT. LIVE LOAD  
3) HATCH IS NOT WATER TIGHT

PROJECT	LOCATION PROJECT
CONTRACTOR	CONTRACTOR
ARCHT/ENGR	ENGINEER
QTY.	PROJECT NO.
1	#

TITLE					
MSU ALUM. 2 DOOR CIRCLE HATCH FOR 1219mm (48") DIA. MANHOLE					
REVISION	NO.	DATE	BY	DATE	P.L. NO.
▲				##/##/##	SCJ CATA
▲				SCALE	DESIGNED BY:
				NTS	DWG. NO. AL-1