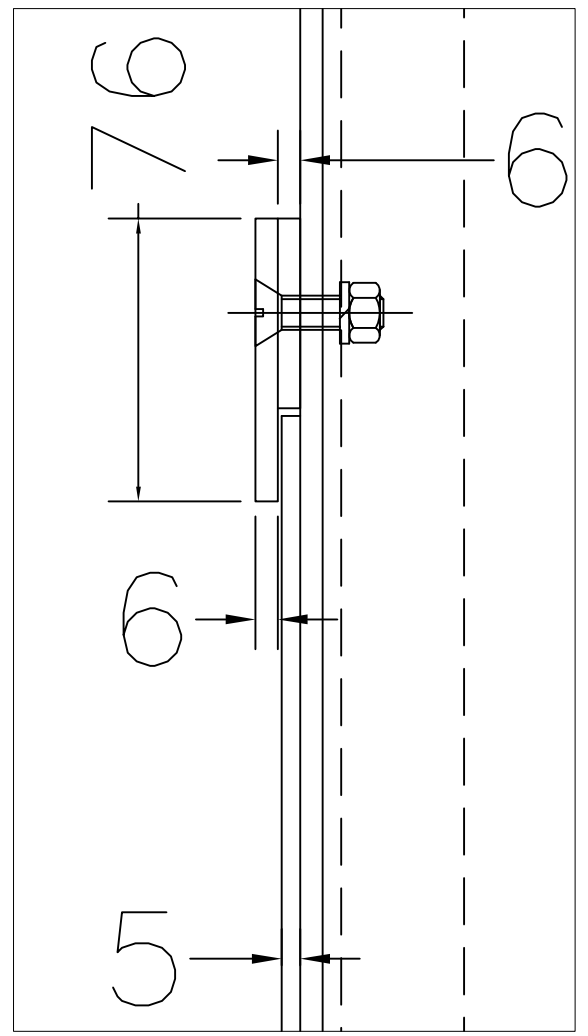


DOOR SLIDING SIDE DETAIL



#	QTY.	MATERIAL	DESCRIPTION
1	9	ALUMINUM 6061 T-6	6mm PLATE WELDED TO ITEM #2
2	22	ALUMINUM 6061 T-6	6 X 38 X 38mm ANGLE
3	4	ALUMINUM 6061 T-6	6 X 38 X 38mm ANGLE LOCK TABS PADLOCK SUPPLIED BY OTHERS
4	4	ALUMINUM 6061 T-6	76 X 6MM/51 X 6MM FLAT BAR C/W 3/8" 316 S.S. HARDWARE
5	12	STAINLESS STEEL 316	16 X 152MM WEDGE ANCHORS C/W NUT, FLAT & LOCK WASHER
6	2	ALUMINUM 6061 T-6	5MM (3/16") DOOR PLATE

THIS DOCUMENT CONTAINS PROPRIETARY INFORMATION AND OTHER RIGHTS WHICH ARE THE SOLE AND EXCLUSIVE PROPERTY OF MSU MISSISSAUGA LTD. POSSESSION OF THIS MATERIAL DOES NOT CONVEY OR TRANSFER ANY RIGHTS THEREIN, AND REPRODUCTION, USE, COPYING OR DISCLOSURE TO OTHERS IS FORBIDDEN WITHOUT THE PRIOR WRITTEN CONSENT OF AN OFFICER OF MSU MISSISSAUGA LTD.
 © MSU MISSISSAUGA LTD. - JULY 23RD, 2014

NOTE: 1. ALL ALUMINUM SURFACES IN CONTACT WITH CONCRETE SHALL RECEIVE 2 COATS OF BITUMINOUS PAINT.
 2. WELDING SHALL CONFORM TO CSA-W47.2 & CSA W59.2
 3. WELDED SURFACES REMAIN AS WELDED.

PROJECT	LOCATION PROJECT
CONTRACTOR	CONTRACTOR
ARCHT/ENGR	ENGINEER
QTY.	1
PROJECT NO.	#

TITLE						ALUMINUM ACTUATOR BOX					
NO.	DATE	BY	DATE	SCALE	DWG. BY:	DWG. NO.	NO.	DATE	BY	DATE	SCALE
1				NTS	SCJ						
CATA ACTUATOR											