

#	QTY.	MATERIAL	DESCRIPTION
1	1	STAINLESS STEEL 316	3 HOLES PERFORATED RUNG 14 GA. 1.125 H X 1.625 W
2	2	STAINLESS STEEL 316	WALL BRACKET 5mm PLATE
3	2	STAINLESS STEEL 316	3/8"x3 3/4" LG. HILTI K.B.II ANCHOR C/W NUT, FLAT AND LOCK WASHERS

THIS DOCUMENT CONTAINS PROPRIETARY INFORMATION AND OTHER RIGHTS WHICH ARE THE SOLE AND EXCLUSIVE PROPERTY OF MSU MISSISSAUGA LTD.

POSSESSION OF THIS MATERIAL DOES NOT CONVEY OR TRANSFER ANY RIGHTS THEREIN, AND REPRODUCTION, USE, COPYING OR DISCLOSURE TO OTHERS IS FORBIDDEN WITHOUT THE PRIOR WRITTEN CONSENT OF AN OFFICER OF MSU MISSISSAUGA LTD.

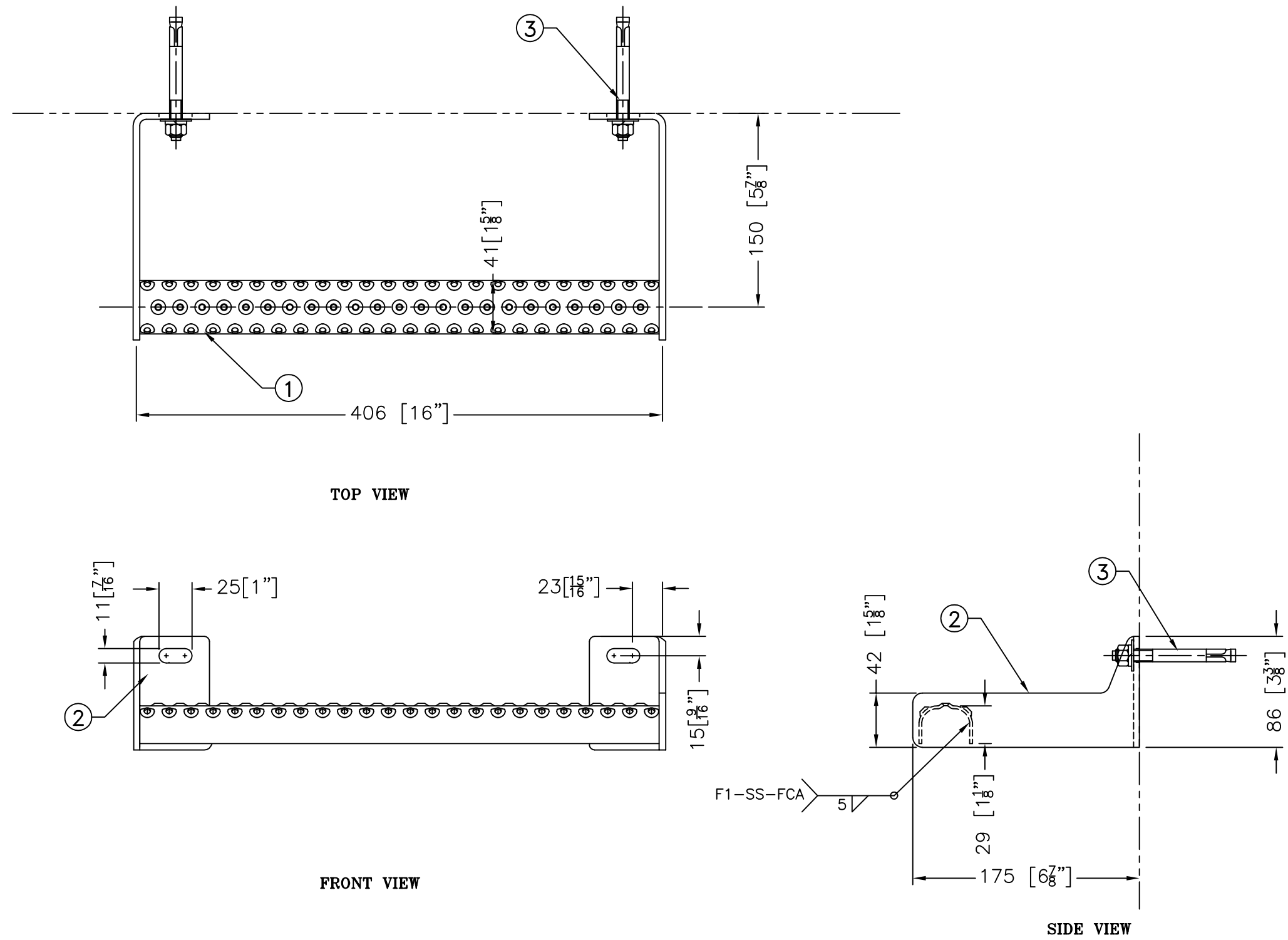
© MSU MISSISSAUGA LTD. - JULY 23RD, 2014

NOTE: 1) WELDING SHALL CONFORM TO CSA W47.1 & AWS D1.6

2) WELDED SURFACES REMAIN AS WELDED.

PROJECT	LOCATION PROJECT
CONTRACTOR	CONTRACTOR
ARCHT/ENG'R	ENGINEER
QTY. #	PROJECT NO. #

TITLE					
MODEL #380 SS CLIMBING RUNG					
REVISION	NO.	DATE	BY	DATE	DWG. BY:
▲				###/##/##	SCJ
▲				SCALE	CHK'D BY:
				NTS	CATA
					DWG. NO. 380



TOP VIEW

FRONT VIEW

SIDE VIEW