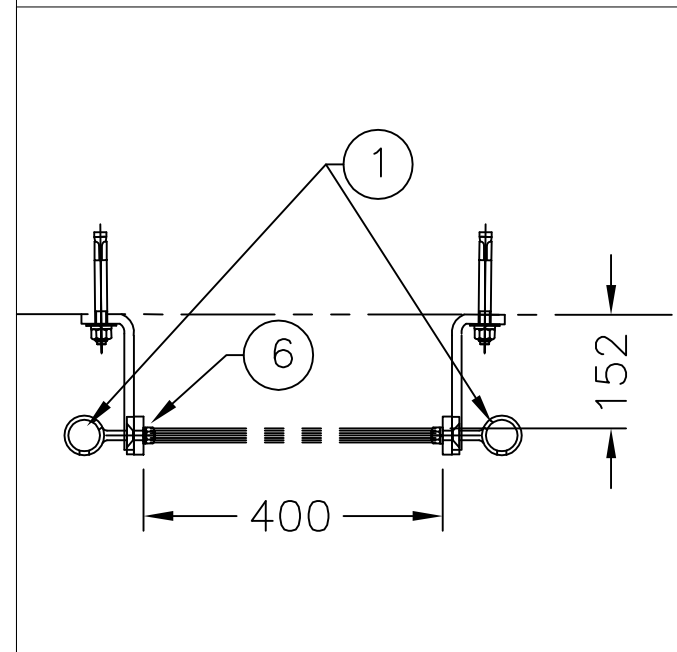
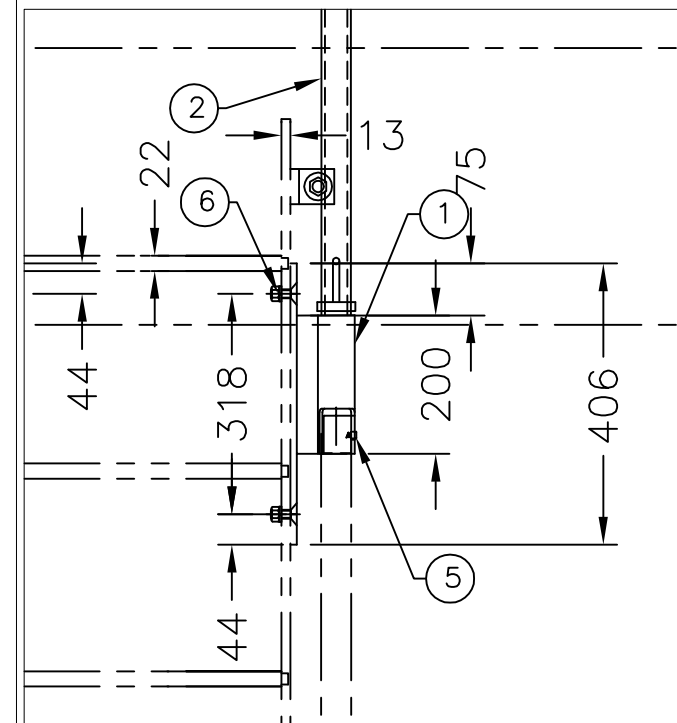


FRONT VIEW

SIDE VIEW



PLAN VIEW



DETAIL A

#	QTY.	MATERIAL	
1	1	STAINLESS STEEL 316	2" .120 WALL TUBE - SOCKET WELDED TO 10 X 51MM FLATBAR
2	1	STAINLESS STEEL 316	1 1/4" SCH 10 IPS PIPE [42MM OD.] 1420mm LONG
3	1	STAINLESS STEEL 316	57mmx10mm THK. TOP CAP
4	1	STAINLESS STEEL 316	3/8"Ø EYE BOLT
5	2	STAINLESS STEEL 316	1/2" X 1 3/4" HEX BOLT C/W NUT FLAT AND LOCK WASHER
6	1	STAINLESS STEEL 316	5/16" X 3/4" SOCKET HEAD SCREW C/W NYLON INSERT LOCK NUT

THIS DOCUMENT CONTAINS PROPRIETARY INFORMATION AND OTHER RIGHTS WHICH ARE THE SOLE AND EXCLUSIVE PROPERTY OF MSU MISSISSAUGA LTD.

POSSESSION OF THIS MATERIAL DOES NOT CONVEY OR TRANSFER ANY RIGHTS THEREIN, AND REPRODUCTION, USE, COPYING OR DISCLOSURE TO OTHERS IS FORBIDDEN WITHOUT THE PRIOR WRITTEN CONSENT OF AN OFFICER OF MSU MISSISSAUGA LTD.

© MSU MISSISSAUGA LTD. - JULY 23RD, 2014

NOTE: 1) WELDING SHALL CONFORM TO CSA W47.1 & AWS D1.6

PROJECT	PROJECT LOCATION	
CONTRACTOR	CONTRACTOR	
ARCHT/ENGR	ENGINEER	
QTY.	#	PROJECT NO. #

TITLE					
MODEL #3600E DOUBLE HANDLE BOLT TO OPSD 406.01 LADDER					
NO.	DATE	BY	DATE	DWG. BY:	P.L. NO.
1			##/##/##	SCJ	CATA
SCALE				DWG. NO.	
NTC					3600-4