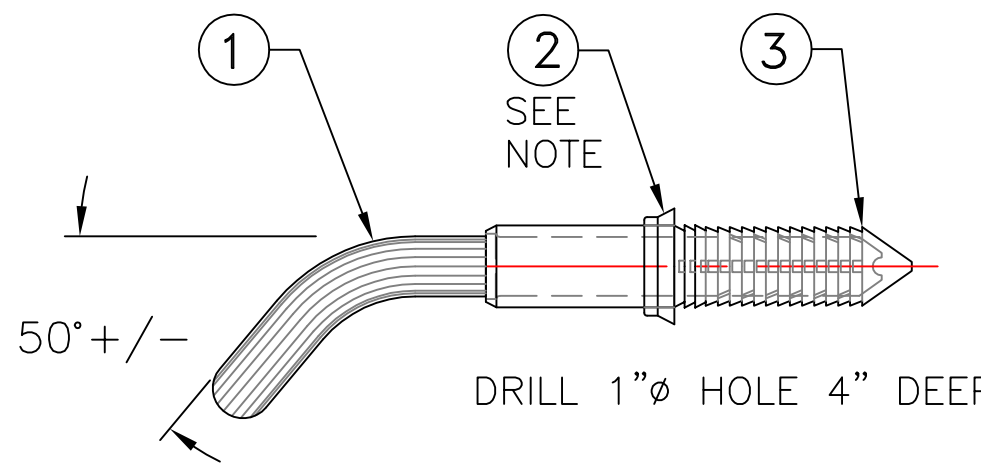
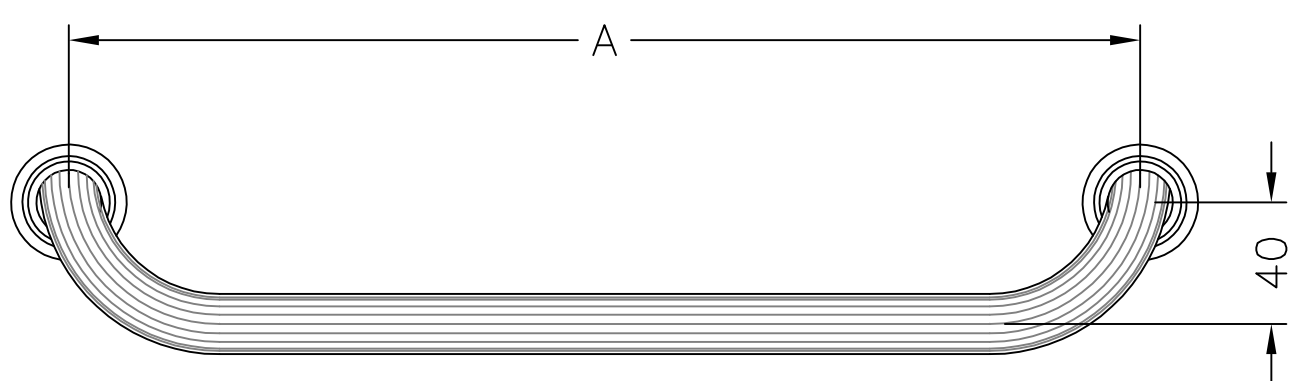


EXTRUSION DETAIL



	DIM A	DIM B
6005-T6	305 (12")	212 (8 3/8")
6351-T6	406 (16") *	212 (8 3/8")
6351-T6	406 (16") BNQ	250 (9 7/8")

#	QTY.	MATERIAL	DESCRIPTION
1	1	ALUMINUM 6351-T6	20.0 OD X 14.0 ID 6-8435 ALUM EXTRUSION
2	2	GREY PVC	38.5 OD X 27.5 ID ADJUSTABLE COVERING ROSETTE
3	2	GREY LDPE	27.5 DIA. X 142.0 LG - GREY ISOLATING ANCHOR SLEEVE

THIS DOCUMENT CONTAINS PROPRIETARY INFORMATION AND OTHER RIGHTS WHICH ARE THE SOLE AND EXCLUSIVE PROPERTY OF MSU MISSISSAUGA LTD.

POSSESSION OF THIS MATERIAL DOES NOT CONVEY OR TRANSFER ANY RIGHTS THEREIN, AND REPRODUCTION, USE, COPYING OR DISCLOSURE TO OTHERS IS FORBIDDEN WITHOUT THE PRIOR WRITTEN CONSENT OF AN OFFICER OF MSU MISSISSAUGA LTD.

© MSU MISSISSAUGA LTD. - JULY 23RD, 2014

PROJECT	PROJECT LOCATION	
CONTRACTOR	CONTRACTOR	
ARCHT/ENGR	ENGINEER	
QTY.	#	PROJECT NO. #

TITLE					
MODEL 350 CLIMBING STEP DRIVE-IN STYLE					
NO.	DATE	BY	DATE	DWG. BY:	PL. NO.
1			##/##/##	SCJ	CATA
SCALE	NTS		CHK'D BY:	DWG. NO. 350	