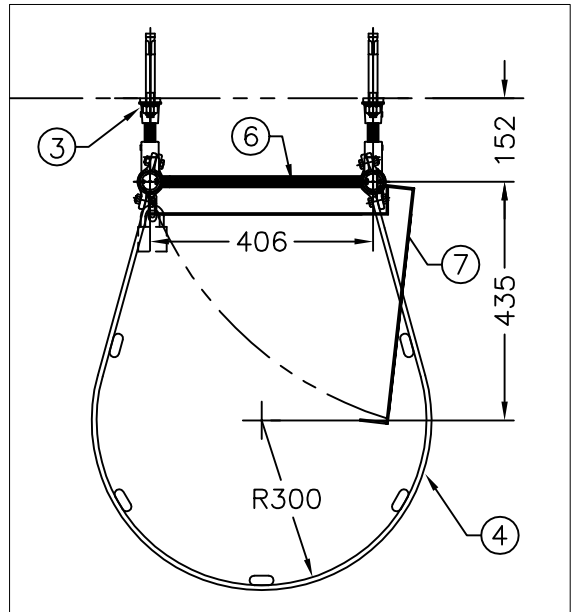
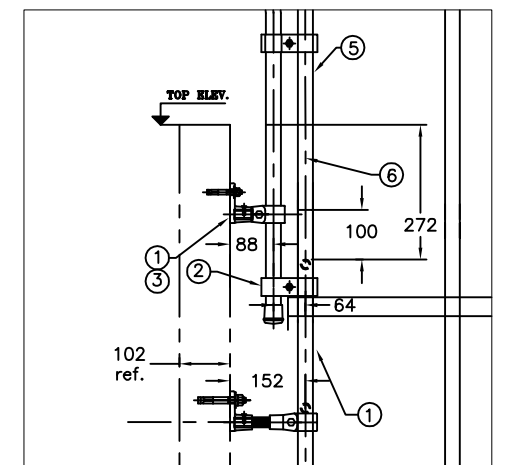


TOP VIEW A-A

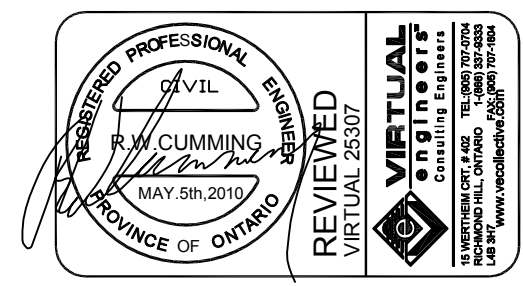


SECTION B-B



DETAIL "C"

#	QTY.	MATERIAL	DESCRIPTION
1	10	ALUM. CSA H5A 6351-T6	LADDER BRACKET # 8120
2	2	ALUM. CSA H5A 6351-T6	LADDER BRACKET # 8125
3	10	STAINLESS STEEL 304	10X95MM WEDGE ANCHORS C/W NUT, FLAT & LOCK WASHERS 76MM EMBEDMENT
4	1	ALUM. CSA H5A 6351-T6	#3108 SAFETY CAGE
5	1	ALUM. CSA H5A 6351-T6	MODEL 1114 EXIT & ENTRY LADDER
6	14	ALUM. CSA H5A 6351-T6	20.0 OD. X 14.0 ID. 6-8365 ALUMINUM EXTRUSION RUNGS
7	1	ALUM. CSA H5A 6351-T6	HINGED LOCKING PLATE



NOTE: 1) ALL ALUMINUM SURFACES IN CONTACT WITH CONCRETE SHALL RECEIVE 2 COATS OF BITUMINOUS PAINT.  
 2) WELDING SHALL CONFORM TO CSA W47.2 CSA W59.2  
 3) WELDED SUFACES REMAIN AS WELDED.

THIS DOCUMENT CONTAINS PROPRIETARY INFORMATION AND OTHER RIGHTS WHICH ARE THE SOLE AND EXCLUSIVE PROPERTY OF MSU MISSISSAUGA LTD.  
 POSSESSION OF THIS MATERIAL DOES NOT CONVEY OR TRANSFER ANY RIGHTS THEREIN, AND REPRODUCTION, USE, COPYING OR DISCLOSURE TO OTHERS IS FORBIDDEN WITHOUT THE PRIOR WRITTEN CONSENT OF AN OFFICER OF MSU MISSISSAUGA LTD.  
 © MSU MISSISSAUGA LTD. - JULY 23RD, 2014

PROJECT	<b>LOCATION PROJECT</b>					
CONTRACTOR	<b>CONTRACTOR</b>					
ARCHT/ENGR						
CITY:	<b>1 ASSEMBLY</b>	PROJECT NO.				
TITLE	<b>ALUMINUM LADDER C/W SAFETY CAGE, &amp; 3109 ALUMINUM LOCK PLATE</b>					
NO.	DATE	BY	DATE	SCALE	DWG. NO.	P.L. NO.
1		SCJ	###/###/###	NTS	3109	CATA